

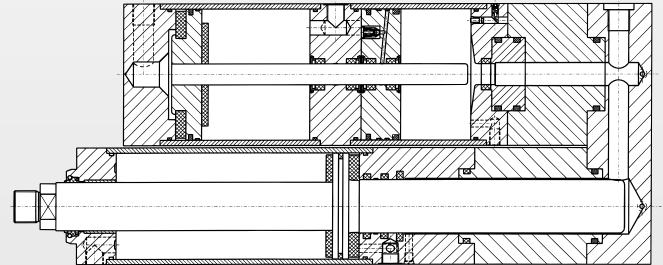
MULTIPOWER

Type U

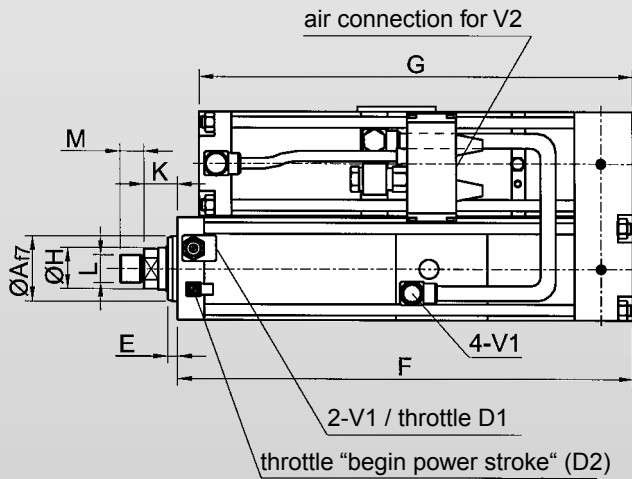
Force in the power stroke: up to 1000 kN

Total stroke: up to 500 mm (20")

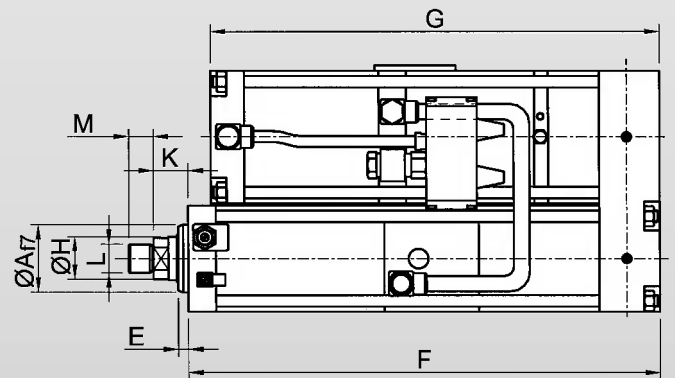
Total stroke limitation: possible
 Power stroke limitation: not possible
 Power stroke in retract stroke: possible



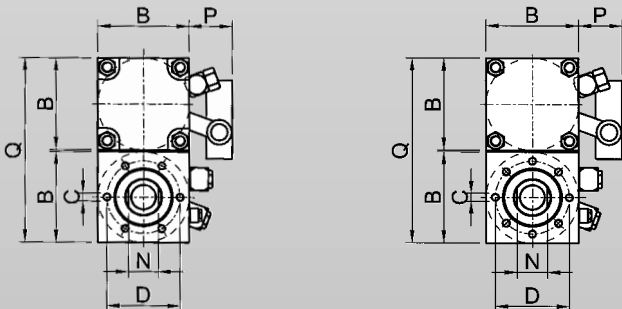
Power stroke 1 – 12 mm



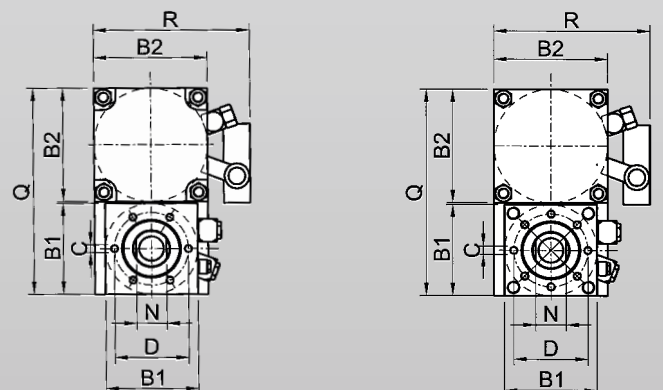
Power stroke 13 – 80 mm



Measurements of MULTIPOWER head piece: U 20 up to U 300 U 500



Measurements of MULTIPOWER head piece: U 10 up to U 300 U 500



size force in kN	Af7	B	C	D	E	ØH	K	L	M	N	Power stroke 1–12 mm		Power stroke 13 – 28 mm				Power stroke 30 – 44 mm			
											Q	P	B1	B2	Q	R	B1	B2	Q	R
U 10	30	(*)	6 x M6 x 11	40	10	16	24	M12x1,5	15	14			50	70	122	115	50	85	137	130
U 20	40	70	6 x M8 x 12	54	10	20	26	M16x1,5	15	17	142	45	70	85	162	130	70	110	187	170
U 40	50	85	6 x M8 x 15	64	10	30	28,5	M22x2	20	24	172	45	85	110	197	170	85	135	222	195
U 60	60	100	6 x M10 x 16	78	10	35	28,5	M24x2	20	30	202	60	100	135	237	195	100	175	278	260
U 80	70	110	6 x M10 x 16	88	10	45	35	M30x2	25	36	222	60	110	135	248	195	110	175	288	260
U 150	75	135	6 x M16 x 25	100	15	50	36	M30x2	25	41	274	60	135	175	314	260	135	200	339	285
U 300	100	175	6 x M20 x 30	132	13	56	42	M39x2	35	50	354	85	175	200	379	285				
U 500	115	200	8 x M20 x 30	150	25	63	52	M42x2	40	55	404	85								
U 750	150	270	12 x M24 x 40	200	25	100	60	M64x2	60	85										
U 1000	150	320	12 x M24 x 40	200	25	100	60	M64x2	60	85										

datas on request

*) At the cylinder U 10 the measurements B1, B2, Q and R are valid for a power stroke range from 1 to 28 mm.

The length of the cylinders (measurements F and G) are depending on the stroke length. Please ask for our detailed data sheets.