

# MULTIPOWER

# Type G

Force in the power stroke: up to 1000 kN

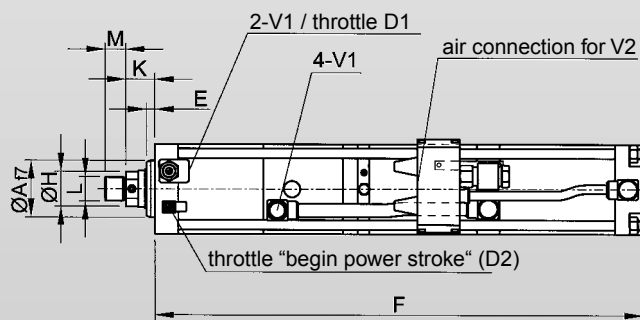
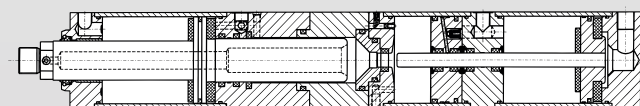
Total stroke limitation: not possible

Power stroke limitation: possible

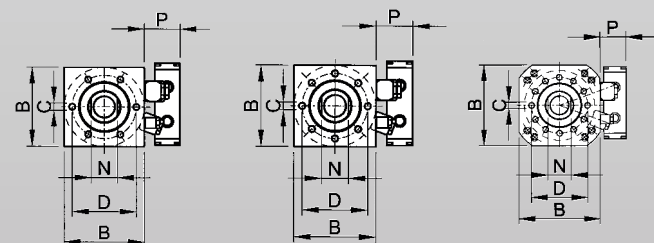
Total stroke: up to 400 mm (16")

Power stroke in retract stroke: not possible

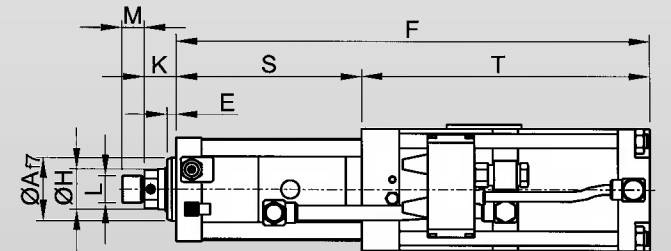
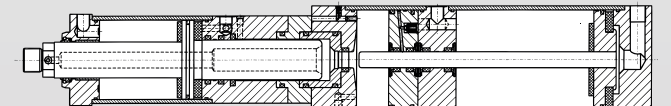
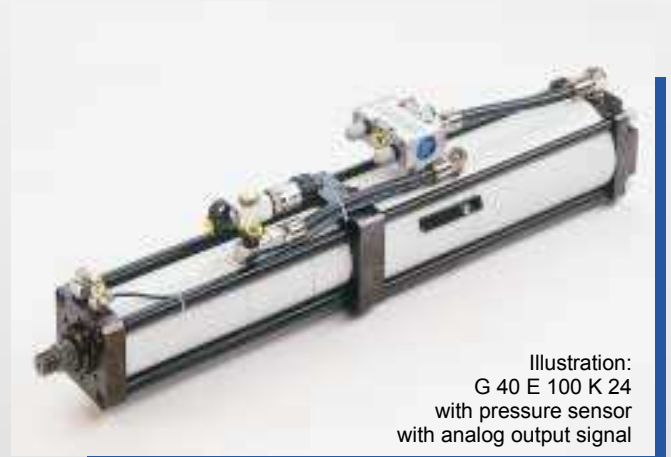
## Power stroke 1 – 12 mm



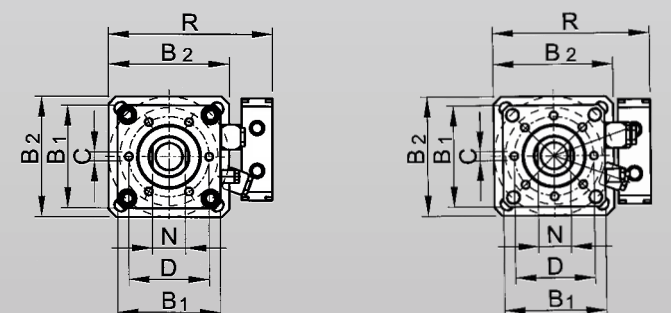
Measurements of MULTIPOWER head piece:  
G 20 up to G 300    G 500    up to G 750



## Power stroke 13 – 80 mm



Measurements of MULTIPOWER head piece:  
G 20 up to G 300    G 500



size force in kN	Af7	B	C	D	E	ØH	K	L	M	N	P	power stroke 13 – 28 mm			power stroke 30 – 44 mm		
												B1	B2	R	B1	B2	R
G 20	40	70	6 x M8 x 12	54	10	20	26	M16x1,5	15	17	45	75	85	130	75	110	170
G 40	50	85	6 x M8 x 15	64	10	30	28,5	M22x2	20	24	45	95	110	170	95	135	195
G 60	60	100	6 x M10 x 16	78	10	35	28,5	M24x2	20	30	60	105	135	195	105	170	255
G 80	70	110	6 x M10 x 16	88	10	45	35	M30x2	25	36	60	115	135	195	115	170	255
G 150	75	135	6 x M16 x 25	100	15	50	36	M30x2	25	41	60	140	170	255	140	190	275
G 300	100	175	6 x M20 x 30	132	13	56	42	M39x2	35	50	85	190	190	275	190	270	355
G 500	115	200	8 x M20 x 30	150	25	63	52	M42x2	40	55	85	datas on request					
G 750	150	270	12 x M24 x 40	200	25	100	60	M64x2	60	85	85						
G 1000	150	320	12 x M24 x 40	200	25	100	60	M64x2	60	85	85						

The length of the cylinders (measurements F, S and T) are depending on the stroke length. Please ask for our detailed data sheets.