

# MULTIPOWER

# Type E / Z

Force in the power stroke: up to 1000 kN

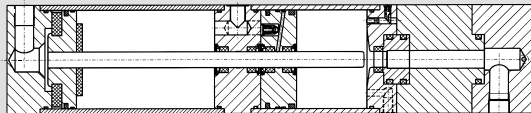
Total stroke limitation: possible

Power stroke: up to 500 mm (20")

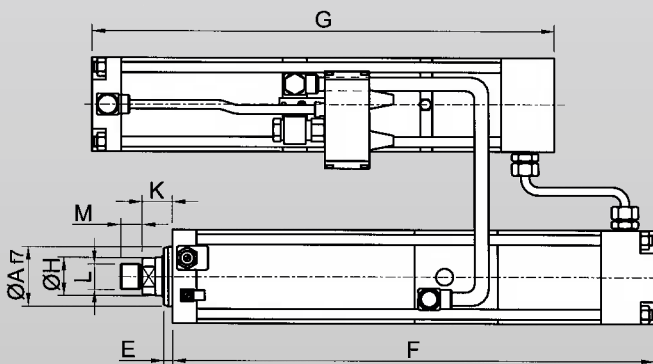
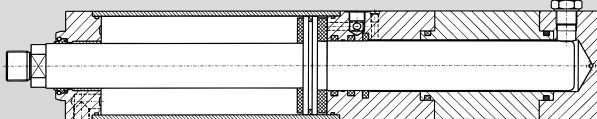
Power stroke limitation: possible

Power stroke in retract stroke: possible

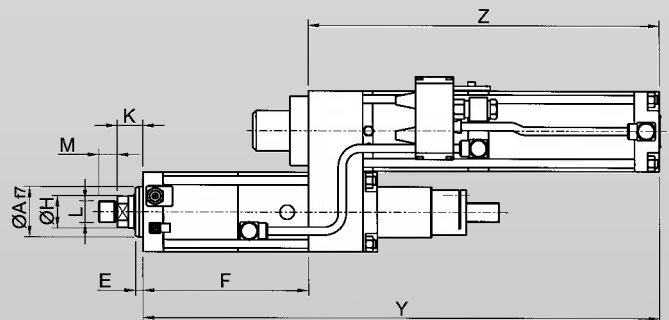
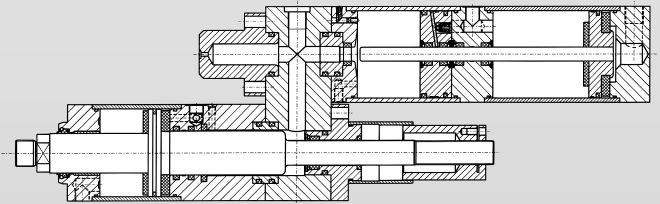
## Type E



Connection between the working part and the intensifier part with a hydraulic hose (standard length 600 mm) or with solid tubes.



## Type Z



The measurements of the MULTIPOWER head piece are according to the mentioned data's of version G or U.

size force in kN	Af7	E	ØH	K	L	M
E 20	40	10	20	26	M16x1,5	15
E 40	50	10	30	28,5	M22x2	20
E 60	60	10	35	28,5	M24x2	20
E 80	70	10	45	35	M30x2	25
E 150	75	15	50	36	M30x2	25
E 300	100	13	56	42	M39x2	35
E 500	115	25	63	52	M42x2	40
E 750	150	25	100	60	M64x2	60
E 1000	150	25	100	60	M64x2	60

size force in kN	Af7	E	ØH	K	L	M
Z 20	40	10	20	26	M16x1,5	15
Z 40	50	10	30	28,5	M22x2	20
Z 60	60	10	35	28,5	M24x2	20
Z 80	70	10	45	35	M30x2	25
Z 150	75	15	50	36	M30x2	25
Z 300	100	13	56	42	M39x2	35
Z 500	115	25	63	52	M42x2	40
Z 750	150	25	100	60	M64x2	60
Z 1000	150	25	100	60	M64x2	60

The length of the cylinders (measurements F, G, F, Y and Z) are depending on the stroke length. Please ask for our detailed data sheets.

**Please note:**

All mentioned cylinders, controls and presses are under a continued process of development and improvement. Therefore all data's and measurements are subject to technical modifications without notice.