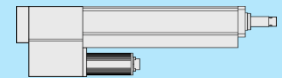


SMP 300 / 01 200 V2 DR 00 00
Optionen 005 100 V2 DR 00 00
01 200
02 400
00 = Standard SMP 300 Standard

Serien- bezeichnung / Baugröße	Kraftsensor	Fahrweg	Antrieb	Kraftmessung	Zusätzliche Ausstattung	Werkzeug- aufnahme
A	B,C	1,2,3	A	A	A	A

SMP 300 series

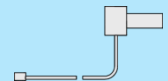
A) SMP 300 basic version Press 1) with 100 mm, 2) with 200 mm, 3) with 400 mm stroke



Type	Stroke mm	Max. speed mm/s	Article number
SMP 300 / XX 100 V2 DR 00 00	100	350	SMP-303001
SMP 300 / XX 200 V2 DR 00 00	200	350	SMP-303002
SMP 300 / XX 400 V2 DR 00 00	400	350	SMP-303004

Resolution length (stroke) measurement 0,003 mm, length (stroke) repeat accuracy 0,01 mm by about 20 mm/s
Tool bracket DIN 810 A8

B) SMP 300 execution force sensor 0,5 kN External mounted digital force sensor



Type	Max. force kN	Application area kN	Article number
Force sensor 0,5 kN for SMP 300	0,5	0,1 - 0,5	SMP-300005

Force accuracy 1 %

**C) SMP 300 execution force sensor
1 kN / 2 kN**

Type	Max. force kN	Application area kN	Article number
Force sensor 1 kN for SMP 300	1	0,2 - 1	SMP-300010
Force sensor 2 kN for SMP 300	2	0,4 - 2	SMP-300020
Force accuracy 1 %			

Accessories

Type	Article number
Portal frame for SMP 300 (according to customer specification)	SMP-3008000
C-frame for SMP 300 (according to customer specification)	SMP-3008500

Cable

Cable for interconnection between nutrunner and control system

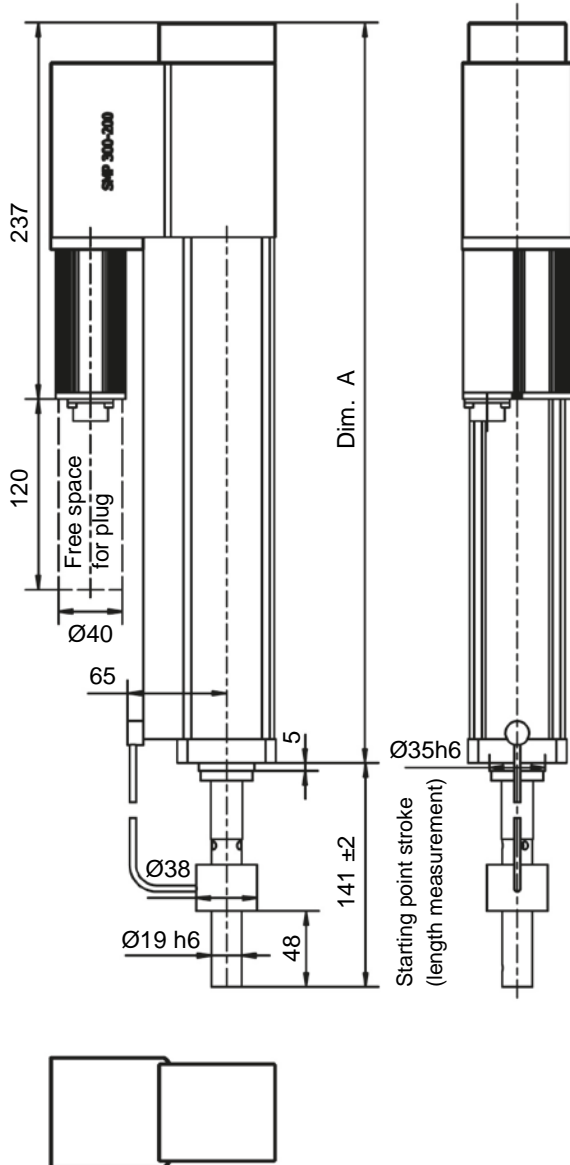
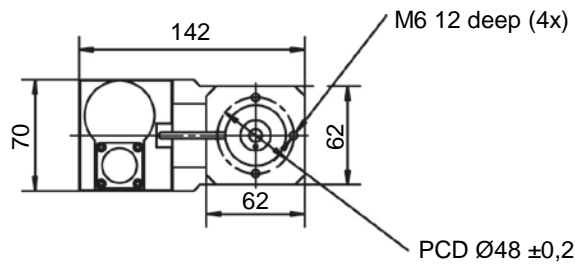
Type	Cable length	Article number
Interconnecting cable DS34 / DS44 / SMP300 DSP05	5 m	MK-2409005
Interconnecting cable DS34 / DS44 / SMP300 DSP10	10 m	MK-2409010
Interconnecting cable DS34 / DS44 / SMP300 DSP15	15 m	MK-2409015
Interconnecting cable DS34 / DS44 / SMP300 DSP05 - angled 90° right	5 m	MK-2409105
Interconnecting cable DS34 / DS44 / SMP300 DSP10 - angled 90° right	10 m	MK-2409110
Interconnecting cable DS34 / DS44 / SMP300 DSP15 - angled 90° right	15 m	MK-2409115
Interconnecting cable DS34 / DS44 / SMP300 DSP05 - angled 90° left	5 m	MK-2409205
Interconnecting cable DS34 / DS44 / SMP300 DSP10 - angled 90° left	10 m	MK-2409210
Interconnecting cable DS34 / DS44 / SMP300 DSP15 - angled 90° left	15 m	MK-2409215

**Maintenance accessories
QMP / SMP Service package**

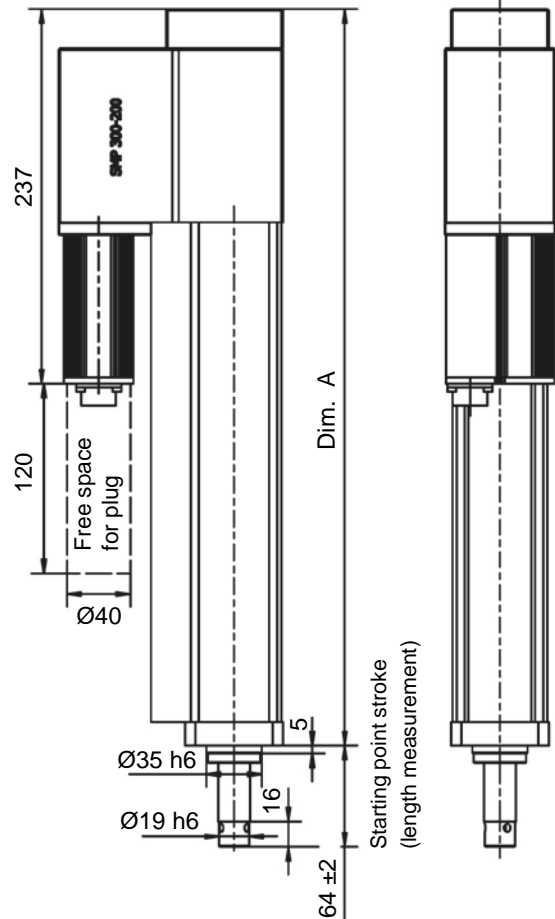
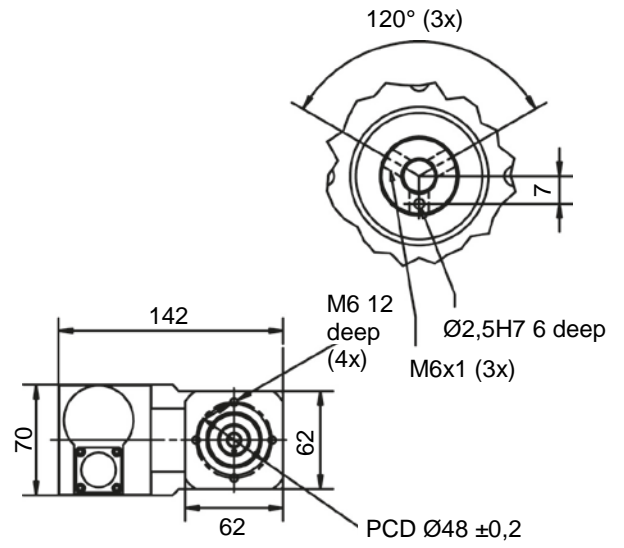
Type	Article number
Lubrication set (grease gun, armoured hose, grease cartridge and lubrication tube set)	DSM-281990

Technical drawings SMP 300 series

SMP 300 /005 V2 (Motor offset)



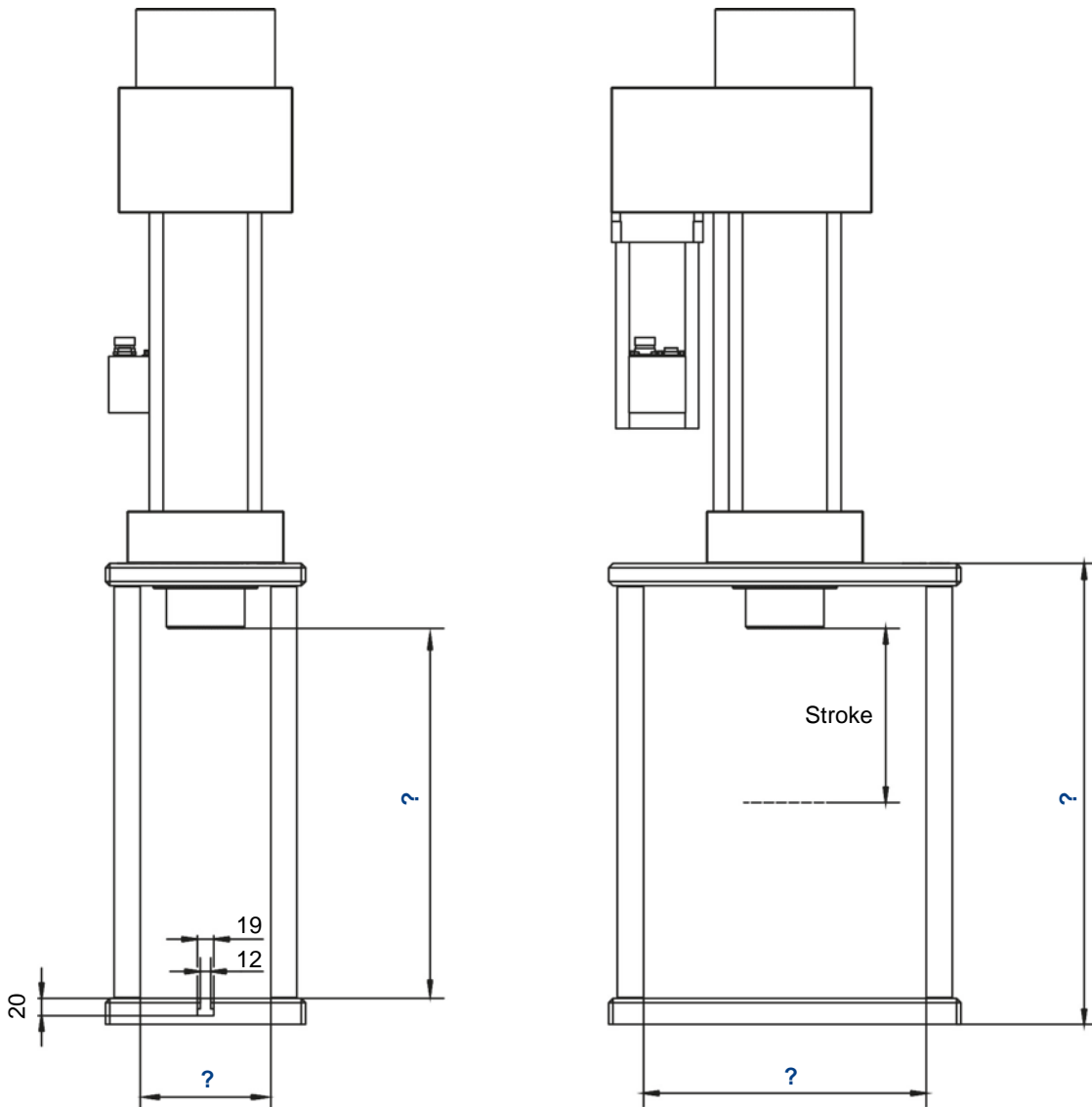
SMP 300 /01/02 V2 (Motor offset)



Type	A mm
SMP 300 V2 100 mm stroke	366 ±2
SMP 300 V2 200 mm stroke	466 ±2
SMP 300 V2 400 mm stroke	666 ±2

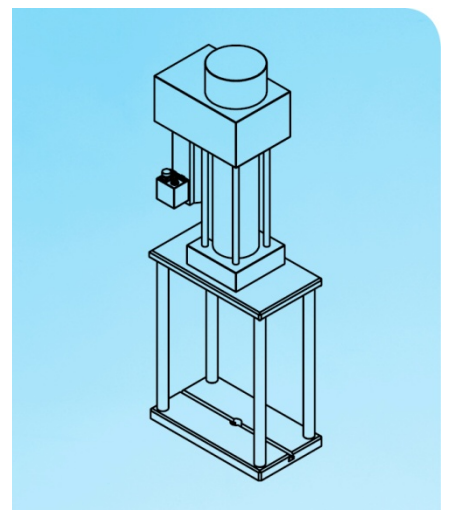
Portal frame

for press-in units of the QMP/SMP series



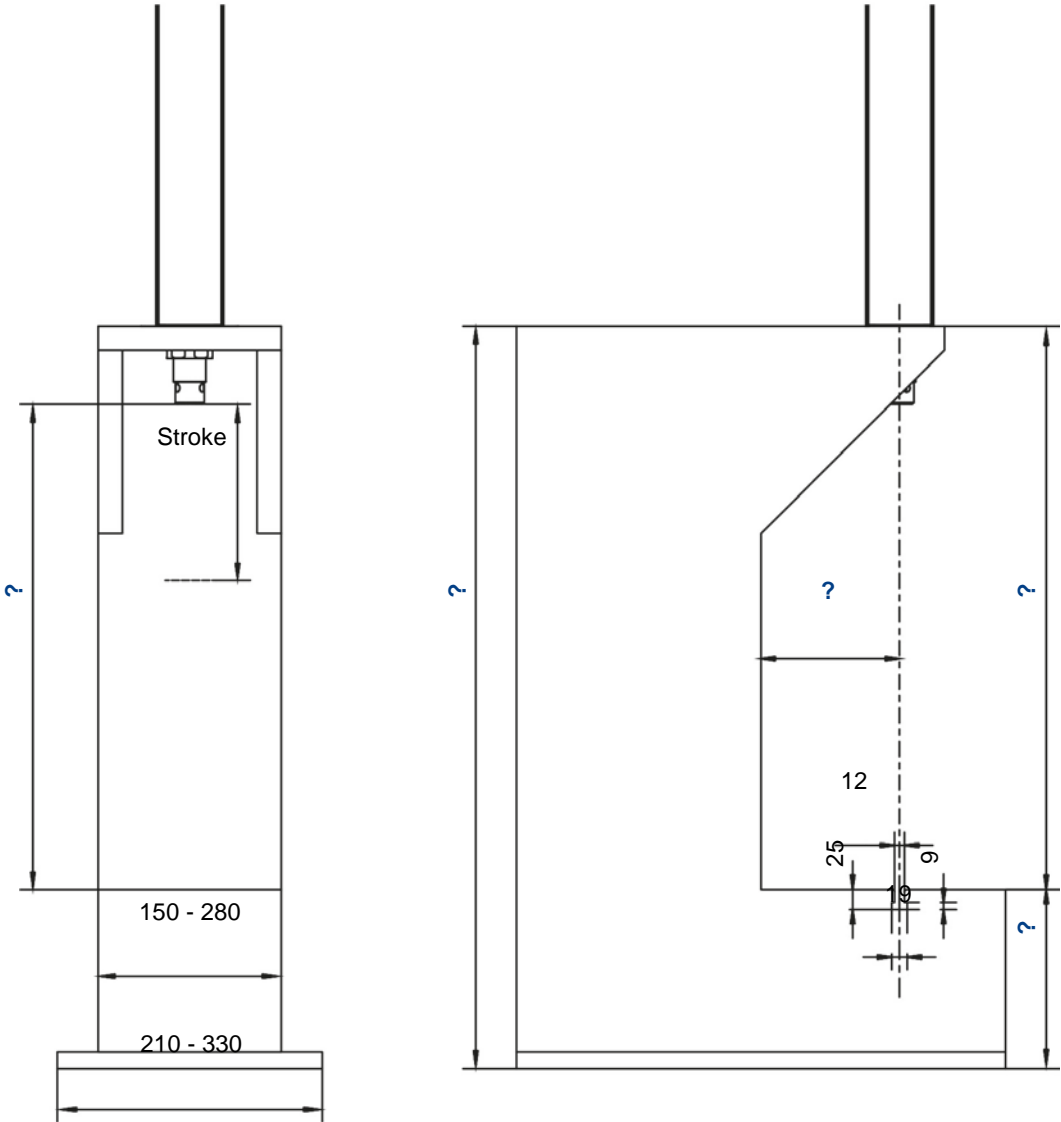
Portal frame, manufactured acc. to customers specification. Depending on the selected press, the dimensions marked with a question mark, can be defined individually.

Please gather dimensions of the press-in unit from the corresponding drawing.



C-frame

for press-in units of the QMP/SMP series



C-frame, manufactured acc. to customers specification. Depending on the selected press, the dimensions marked with a question mark, can be defined individually.

Please gather dimensions of the press-in unit from the corresponding drawing.

