

QMP 140 series

A) QMP 140 basic version 1) with 200 mm, 2) with 300 mm, 3) with 500 mm stroke



Type	Stroke mm	Max. speed mm/s	Article number
QMP 140 / XX 200 V2 XX 00 00	200	100	QMP-1403002
QMP 140 / XX 300 V2 XX 00 00	300	100	QMP-1403003
QMP 140 / XX 500 V2 XX 00 00	500	100	QMP-1403005

Resolution length (stroke) measurement 0,003 mm, length (stroke) repeat accuracy 0,01 mm by about 20 mm/s

B) QMP 140 execution force sensor 70 kN / 100 kN / 120 kN



Type	Max. force kN	Application area kN	Article number
Force sensor 70 kN for QMP 140	70	10 - 70	QMP-1400070
Force sensor 100 kN for QMP 140	100	20 - 100	QMP-1400100
Force sensor 120 kN for QMP 140	120	24 - 120	QMP-1400120

Force accuracy 0,5 %

C) QMP 140 execution of the press-in unit Press / Pull / Press & Pull



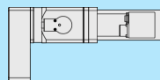
Type	Force measurement	Tool bracket	Article number
QMP 140 execution DR	in direction press	DIN810 A50, Ø50H7 85 deep	QMP-1401000
QMP 140 execution ZU	in direction pull	M36 x 3 50 deep	QMP-1401005
QMP 140 execution DZ	in direction press and pull	M36 x 3 50 deep	QMP-1401010

D) Motor force-hold-brake



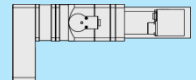
Type	Article number
Motor force-hold-brake MHB	QMP-

D) Force-hold-brake



Type	Article number
Force-hold-brake HB	QMP-1403110

E) Backstop Hold force



Type	Article number
Backstop RS	QMP-1403115

Accessories

Type	Article number
Portal frame for QMP 140 (according to customer specification)	QMP-1408000
C-frame for QMP 140 (according to customer specification)	QMP-1408500

Cable

Cables for interconnection between press-in unit and control system

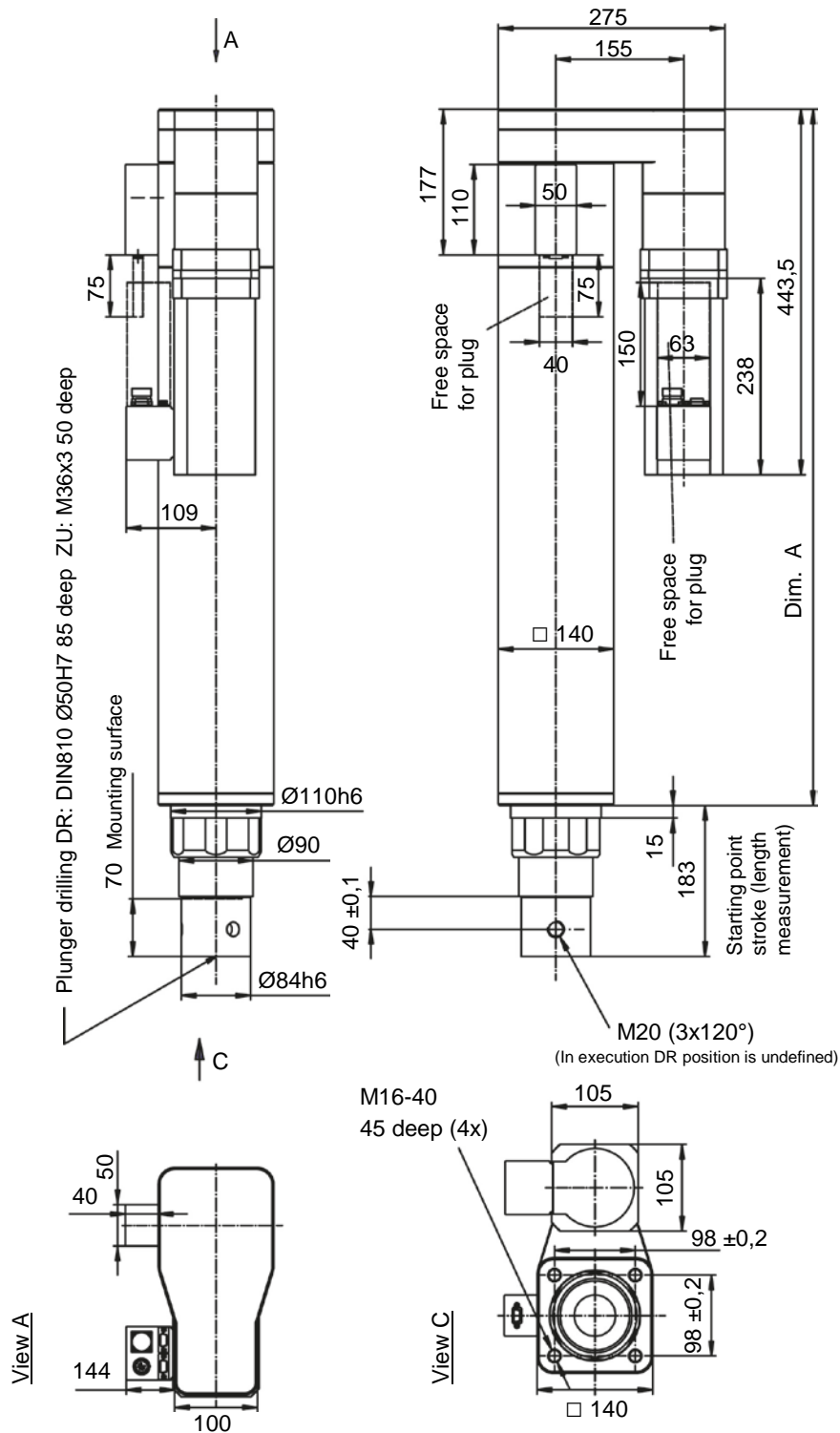
Type	Cable length	Article number
Cable set DS80 / QMP100/140 / SMP500 DSP05	5 m	MK-1009005
Cable set DS80 / QMP100/140 / SMP500 DSP10	10 m	MK-1009010
Cable set DS80 / QMP100/140 / SMP500 DSP15	15 m	MK-1009015
Cable set DS80 / QMP100/140 / SMP500 DSP05 - with shielding	5 m	MK-1009105
Cable set DS80 / QMP100/140 / SMP500 DSP10 - with shielding	10 m	MK-1009110
Cable set DS80 / QMP100/140 / SMP500 DSP15 - with shielding	15 m	MK-1009115

Maintenance accessories

QMP / SMP Service package

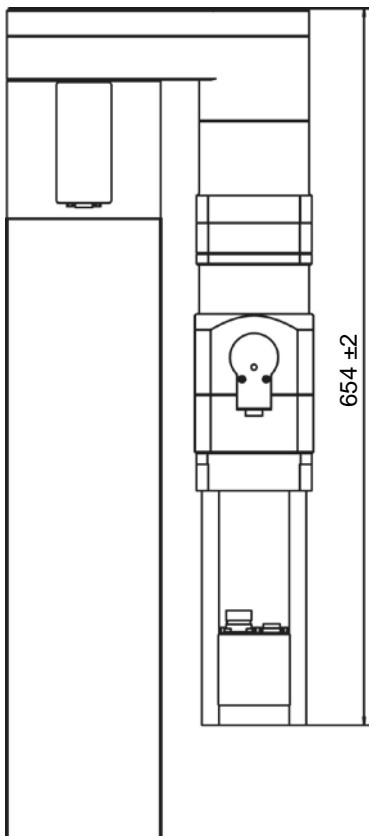
Type	Article number
Lubrication set (grease gun, armoured hose, grease cartridge and lubrication tube set)	DSM-281990

QMP 140 /70/100 V2 (Motor offset)

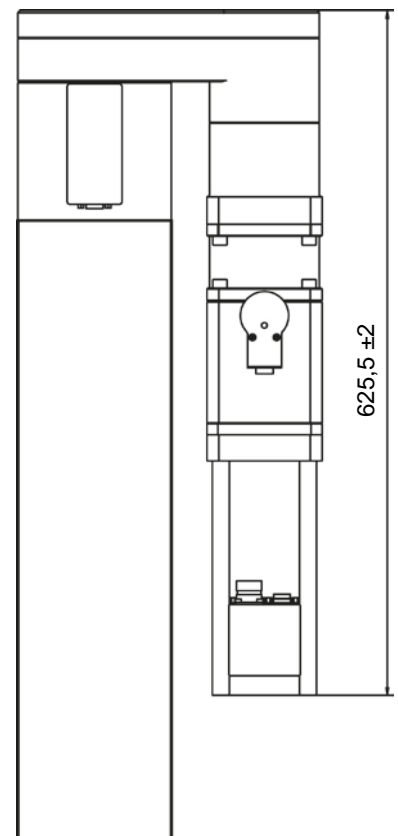


Type	A mm
QMP 140 V2 200 mm stroke	845 ±2
QMP 140 V2 300 mm stroke	945 ±3
QMP 140 V2 500 mm stroke	1145 ±3

QMP 140 /70/100 Backstop (hold force)

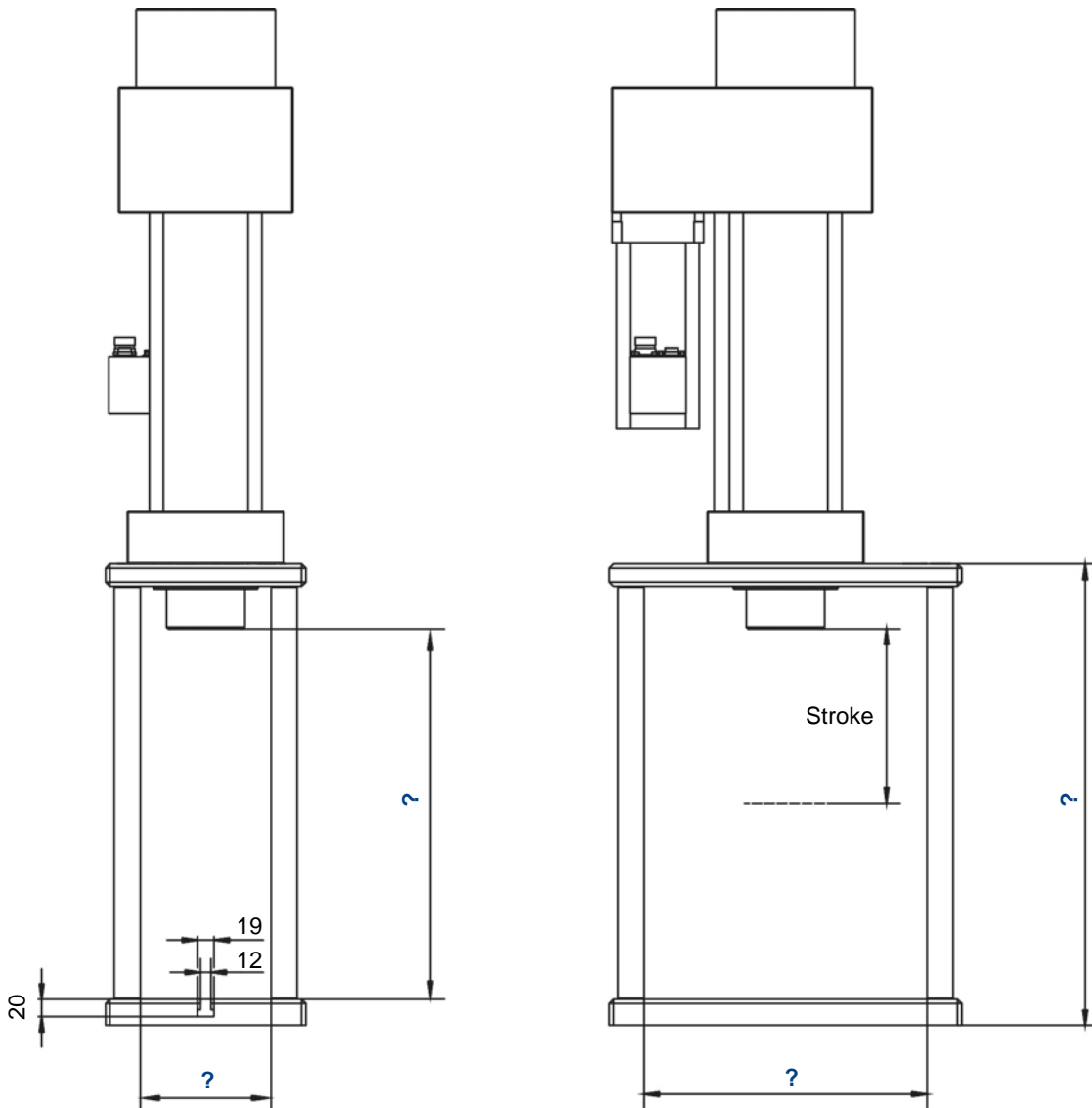


QMP 140 /70/100 Force-hold-break



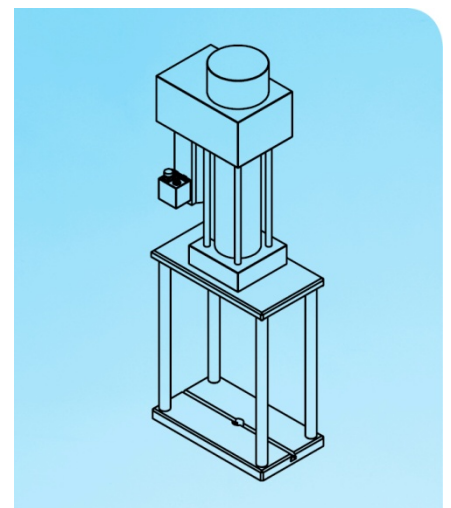
Portal frame

for press-in units of the QMP/SMP series



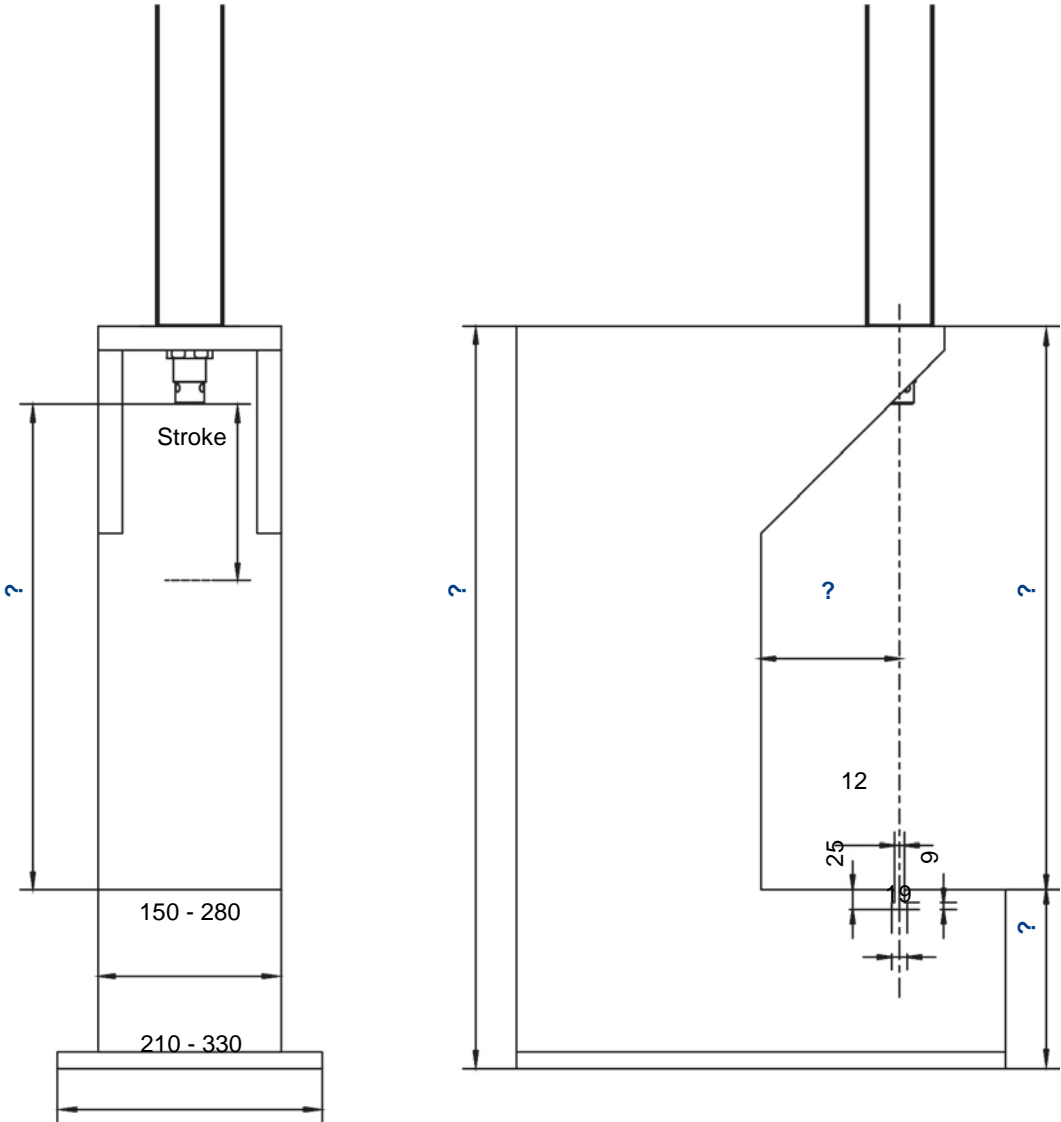
Portal frame, manufactured acc. to customers specification. Depending on the selected press, the dimensions marked with a question mark, can be defined individually.

Please gather dimensions of the press-in unit from the corresponding drawing.



C-frame

for press-in units of the QMP/SMP series



C-frame, manufactured acc. to customers specification. Depending on the selected press, the dimensions marked with a question mark, can be defined individually.

Please gather dimensions of the press-in unit from the corresponding drawing.

