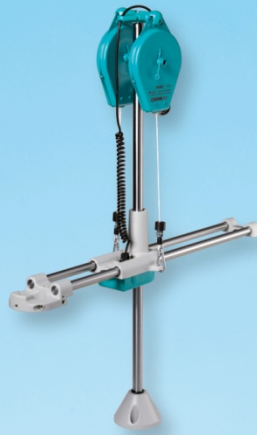




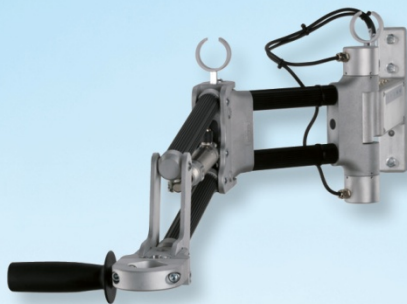
POSI 1 GG-40



POSI 1 GG-150



POSI 1 GG-300



POSI 2



PosiControl



PosiControl4

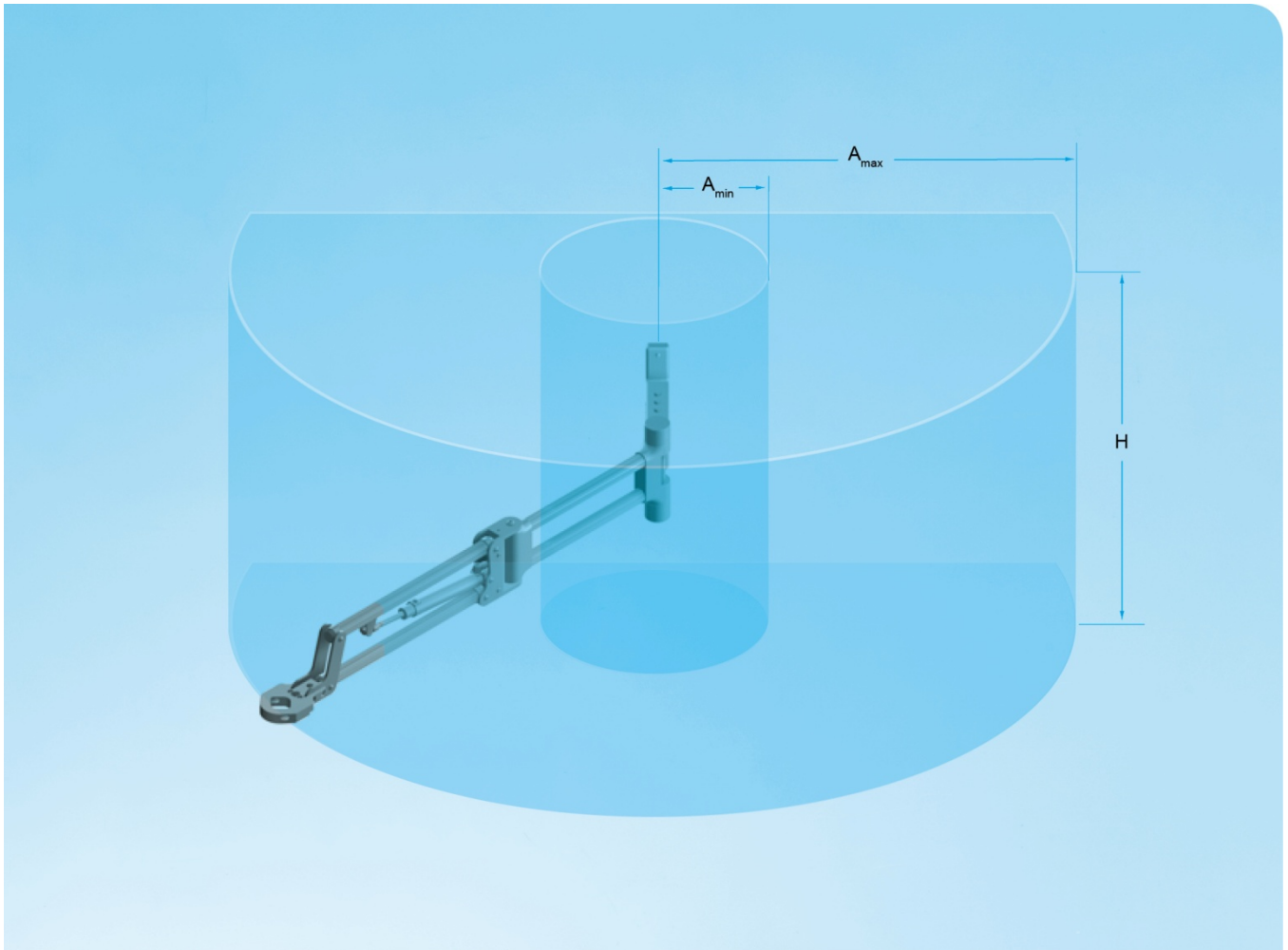
## HANDLING SYSTEMS

### POSI 1 Handling stand – GG series

Base out of aluminium die casting, rods out of stainless steel. Ears for the cable guide are integrated. Weight counterbalance via adjustable balancer. Universal tool bracket with three threaded holes for assembly of handles. The fixing is made by the stand with three fixing holes or by the space to be clamped.

### POSI 2 Handling swivel arm

As basis the POSI 2 has a mounting flange, parallel motions out of drawn aluminium, pneumatic cylinder for the weight counterbalance, guidances and mounting surfaces out of aluminium as well as articulated joints (ball bearing guided) out of stainless steel. The tool bracket is exchangeable. The result out of the combination of stainless steel and aluminium is a robust and still very light construction.



## Handling swivel arm POSI 2

POSI 2 swivel arms are available with or without position monitoring. The monitoring of the working positions is made in the XY coordinates with absolute encoder. In a stiff system the positioning accuracy is < 0,2 mm.

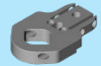
### POSI 2 Swivel arm long execution

Type	with position control XY	without position control
Max. torque	40 Nm	40 Nm
Max. tool weight	3,5 kg	3,5 kg
Min. stroke $A_{min}$	555 mm	555 mm
Max. stroke $A_{max}$	915 mm	915 mm
Lift height working area H	530 mm	530 mm
<b>Article number</b>	<b>DSM-600601</b>	<b>DSM-600600</b>

### POSI 2 Swivel arm short execution

Type	with position control XY	without position control
Max. torque	40 Nm	40 Nm
Max. tool weight	3,5 kg	3,5 kg
Min. stroke $A_{min}$	405 mm	405 mm
Max. stroke $A_{max}$	610 mm	610 mm
Lift height working area H	230 mm	230 mm
<b>Article number</b>	<b>DSM-600615</b>	<b>DSM-600614</b>

## POSI 2 Tool fitting



Type	Article number
Universal tool fitting for tools with diameter from 36 up to 42 mm	<b>DSM-600660</b>
Tool fitting for DS 34 / DS 44	<b>DSM-600662</b>
Tool fitting for DS 57	<b>DSM-600665</b>

## POSI 2 Ergo handle



Type	Article number
Ergo handle with holding device	<b>DSM-600253</b>

## POSI 2 Ergo handle with start button



Type	Article number
Ergo handle with start button	<b>DSM-600257</b>

## POSI 2 Double handle with start buttons



Type	Article number
Double handle with start buttons	<b>DSM-600258</b>

## POSI 2 Self-starter handle for DS 44

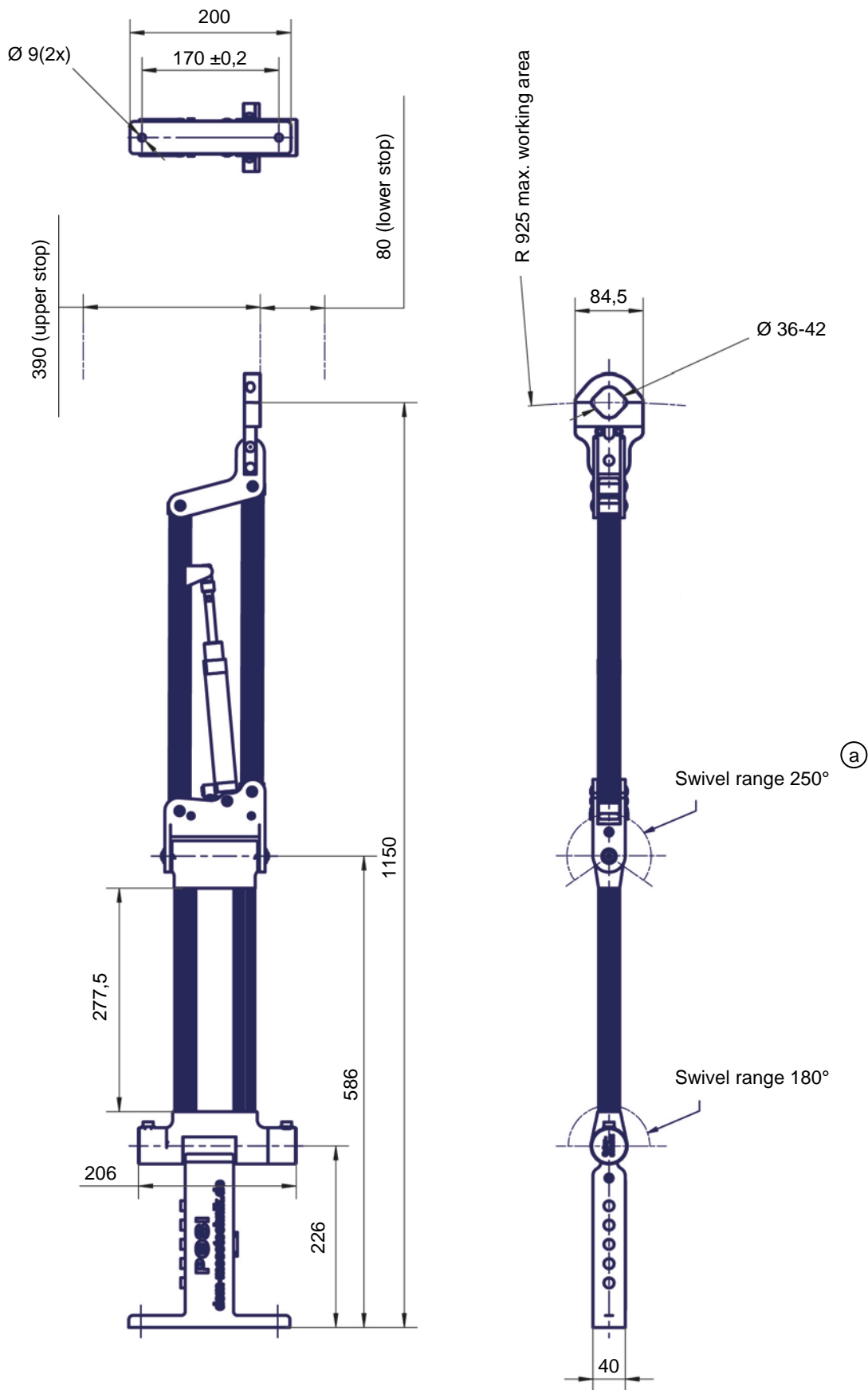


Type	Article number
Self-starter handle for DS 44	<b>DSM-440210</b>

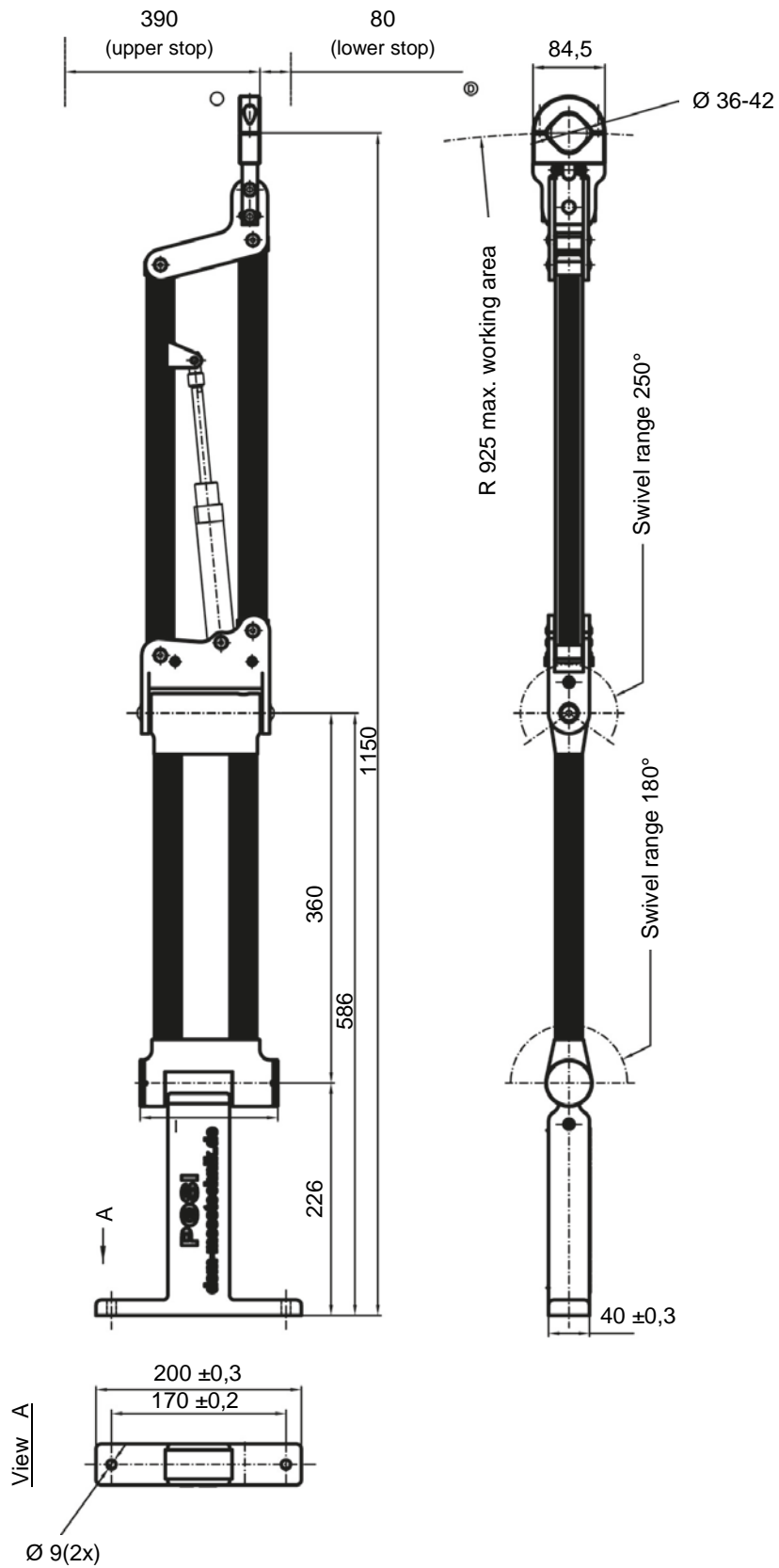
## POSI 2 Interconnecting cable

Type	Cable length	Article number
Cable for interconnection between transmitter-sensoric XY and PosiControl	3 m	<b>DSM-600650</b>
Cable for interconnection between transmitter-sensoric XY and PosiControl4	3 m	<b>DSM-600658</b>

Swivel arm long execution  
with position control XY



Swivel arm long execution  
without position control



Swivel arm short execution  
with position control XY

