



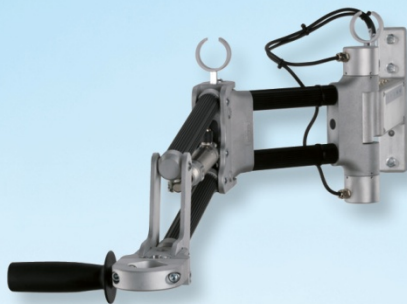
POSI 1 GG-40



POSI 1 GG-150



POSI 1 GG-300



POSI 2



PosiControl



PosiControl4

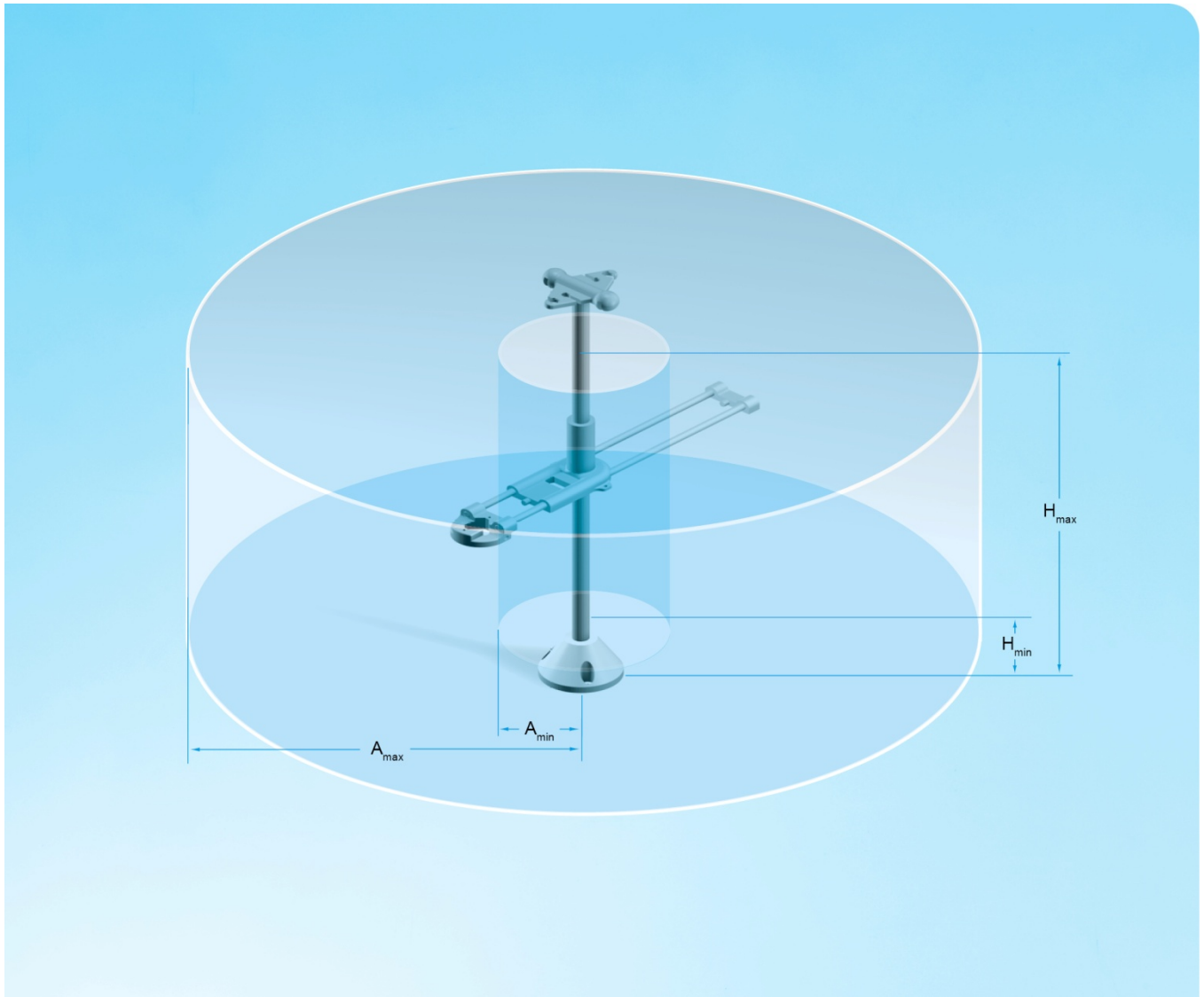
HANDLING SYSTEMS

POSI 1 Handling stand – GG series

Base out of aluminium die casting, rods out of stainless steel. Ears for the cable guide are integrated. Weight counterbalance via adjustable balancer. Universal tool bracket with three threaded holes for assembly of handles. The fixing is made by the stand with three fixing holes or by the space to be clamped.

POSI 2 Handling swivel arm

As basis the POSI 2 has a mounting flange, parallel motions out of drawn aluminium, pneumatic cylinder for the weight counterbalance, guidances and mounting surfaces out of aluminium as well as articulated joints (ball bearing guided) out of stainless steel. The tool bracket is exchangeable. The result out of the combination of stainless steel and aluminium is a robust and still very light construction.



Handling stand POSI 1

POSI 1 Torque reaction arm

Type	GG-40	GG-150	GG-300
Max. torque	40 Nm	150 Nm	300 Nm
Max. tool weight	3 kg	8 kg	18 kg
Height of vertical pillar (H_v)	830 mm	1020 mm	1250 mm
Length of horizontal arm (L)	570 mm	860 mm	943 mm
Tool diameter	36–42 mm	56–62 mm	80–95 mm
Working stroke (horizontal)	300 mm	500 mm	500 mm
Min. working height H_{min}	110 mm	165 mm	180 mm
Max. working height H_{max}	520 mm	450 mm	515 mm
Min. stroke A_{min}	155 mm	205 mm	250 mm
Max. stroke A_{max}	455 mm	705 mm	750 mm
Article number	DSM-600140	DSM-600139	DSM-600138

POSI 1 Balancer set



Type	Ideal for torque reaction arm	Weight counterbalance	Quantity	Article number
BA2	GG-40	2 – 3,5 kg	2	DSM-600302
BA3	GG-150	5 – 8,5 kg	2	DSM-600303
BA4	GG-300	9 – 15 kg	2	DSM-600305

Complete control via XYZ

Fix sequences have to be observed by a lot of assembly works. The integration of the transmitter-sensoric XY and of the Z-axis-sensoric into the POSI 1 enables the control of the operational procedures. Every position in the operating distance of the torque reaction arm can be controlled (positioning accuracy < 0,2 mm). By mistake not handled assembly positions as well as from this resulting quality defects are therewith part of the past. A retrofitting of the position monitoring is possible at any time. The sensorics are only for the determination of the positions. Therefore e.g. a switch-off on depth with the Z-axis is not possible.

POSI1 Transmitter-sensoric XY incremental



Type	Components	Article number
For torque reaction arm GG-40 and GG-150	Radial sensor 360 degrees, horizontal sensor	DSM-600120
For torque reaction arm GG-300	Radial sensor 360 degrees, horizontal sensor	DSM-600145

POSI1 Transmitter-sensoric XY absolute



Type	Components	Article number
For torque reaction arm GG-40 and GG-150	Radial sensor 360 degrees, horizontal sensor	DSM-600190
For torque reaction arm GG-300	Radial sensor 360 degrees, horizontal sensor	DSM-600195

POSI 1 Balancer with Z-axis sensoric



Typ	Ideal for torque reaction arm	Weight counterbalance	Quantity	Article number
BA2 with Z-axis sensoric	GG-40	2 – 3,5 kg	1	DSM-600321
BA3 with Z- axis sensoric	GG-150	5 – 8,5 kg	1	DSM-600322
BA4 with Z- axis sensoric	GG-300	9 – 15 kg	1	DSM-600324

Repeat accuracy $\pm 0,5\text{mm}$

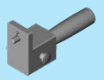
Z-Achsen-Sensorik nur in Verbindung mit XY-Inkremental-Sensorik und PosiControl verwendbar.

**POSI 1 Ergo handle
for GG-40 / GG-150 / GG-300**



Type	Article number
Ergo handle	DSM-600251

**POSI 1 Ergo handle with start button
for GG-40 / GG-150 / GG-300**



Type	Article number
Ergo handle with start button	DSM-480013

**POSI 1 Self-starter handle
for GG-40 and nutrunner DS 44**



Type	Article number
Self-starter handle	DSM-400214

**POSI 1 Half-shell pair for reduction
of the tool fitting**



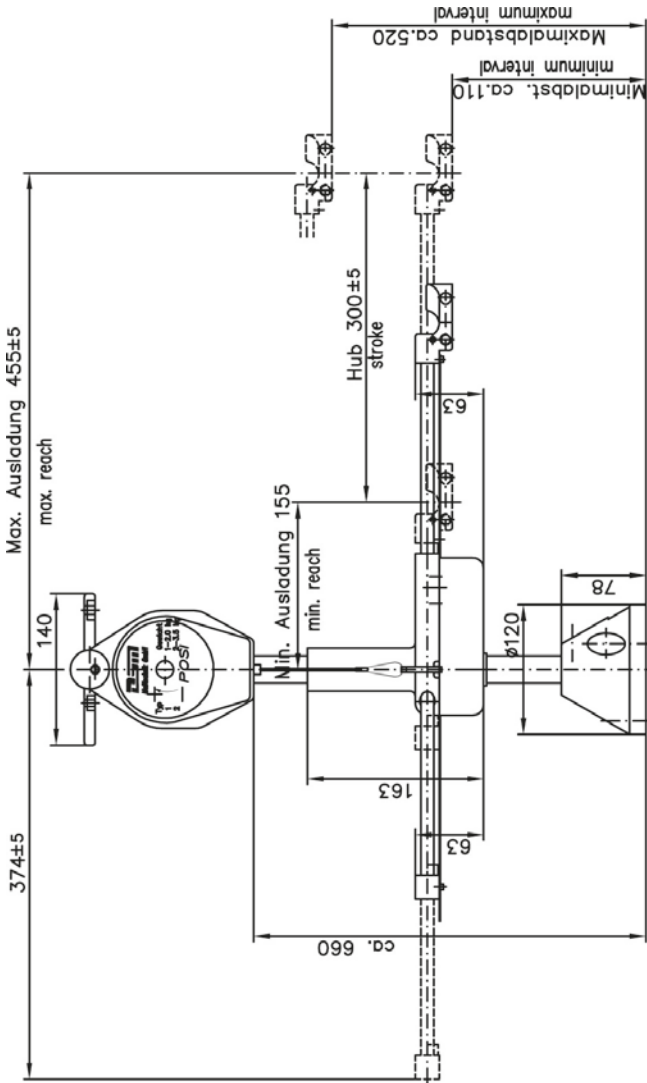
Type	Article number
For torque reaction arm GG-40	DSM-600159
For torque reaction arm GG-150	DSM-600164
For torque reaction arm GG-300	DSM-600170

Diameter acc. to customers specification

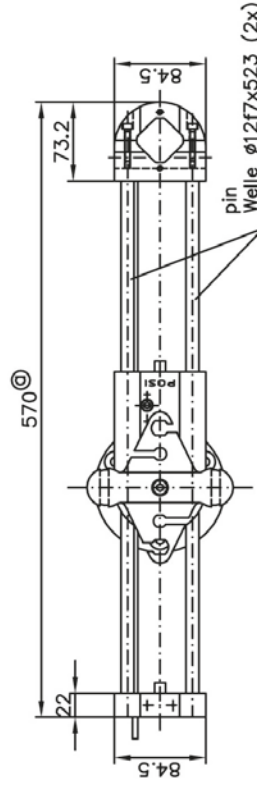
POSI 1 Interconnecting cable

Type	Cable length	Article number
Cable for interconnection between transmitter-sensoric XY incremental and PosiControl	3 m	DSM-600173
Cable for interconnection between transmitter-sensoric XY absolute and PosiControl	3 m	DSM-600373
Cable for interconnection between transmitter-sensoric XY absolute and PosiControl4	3 m	DSM-600374
Y-interconnecting cable for interconnection between XYZ sensoric and PosiControl	2 x 0,3 m	DSM-600174
Y-cable from PosiControl to Self-starter handle and tightening control system (Basic, Classic, Pro)	5 m	DSM-600154

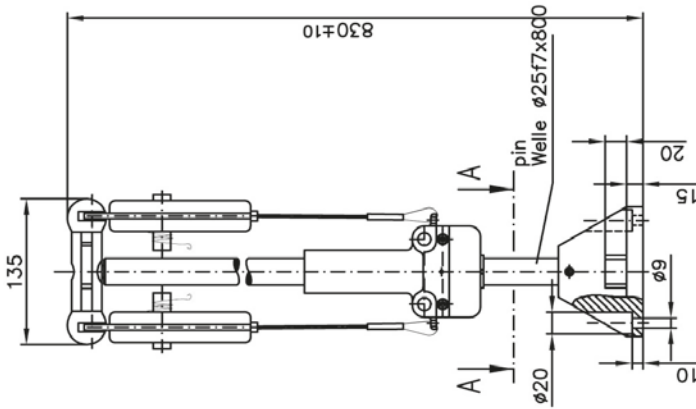
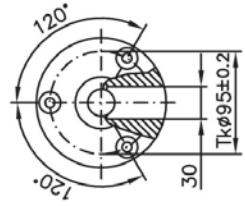
Handling stand Type GG-40



Draufsicht ohne Balancer
top view without balancer



Schnitt A-A
cutaway view



Draufsicht ohne Balancer
top view without balancer

