



4/4S



4/4C



8/8S



8/8C

ACCESSORIES CONTROL SYSTEMS

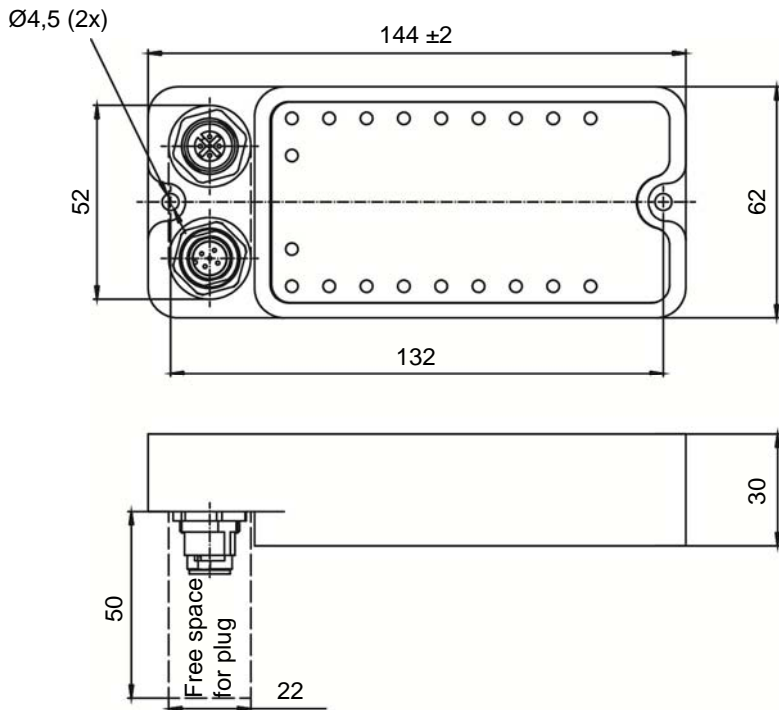
Type	IO-Extension 4/4S	IO-Extension 4/4C	IO-Extension 8/8S	IO-Extension 8/8C
Inputs / Outputs	4IN/4OUT	4IN/4OUT	8IN/8OUT	8IN/8OUT

IO Extension is used to expand the standard inputs and outputs of the DSM control systems. The device is selected via the DSM systembus interface. The inputs and outputs can be used for any control tasks in the sequence programming. Up to 16 extension modules can be connected at a control system.

- Each IO-Extension is equipped with
- Status display of the inputs and outputs
 - Function check DSM system bus
 - Reset key

Technical drawings IO-Extension

4/4S, 4/4C, 8/8S



8/8C

