

DSH 44 series

A) DSH 44 MDW with torque transducer Straight output



Type	Max. torque Nm	Application area Nm	Max. speed rpm	Angle resolution Degree [°]	Article number
DSH 44 / 20 MDW	20	4 – 20	680	1	DSH-2440201
DSH 44 / 30 MDW	30	6 – 30	680	1	DSH-2440301

Torque accuracy 0,5 %, torque tolerance better 5 % according to ISO 5393

B) DSH 44 SA without torque transducer Straight output



Type	Max. torque Nm	Application area Nm	Max. speed rpm	Angle resolution Degree [°]	Article number
DSH 44 / 20 SA	20	4 – 20	680	1	DSH-2441201
DSH 44 / 30 SA	30	6 – 30	680	1	DSH-2441301

Torque accuracy 5 %

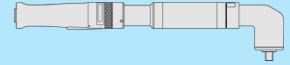
**C) DSH 44 MDW-WA with torque transducer
Angle head**



Type	Square drive	Max. torque Nm	Application area Nm	Max. speed rpm	Article number
DSH 44 / 40 MDW-WA	1/2"	40	8 – 40	490	DSH-2440400
DSH 44 / 60 MDW-WA	1/2"	50	12 – 60	350	DSH-2440600

Torque accuracy 0,5 %, torque tolerance better 8 % according to ISO 5393, angle resolution 1 degree [°]

**D) DSH 44 SA-WA without torque transducer
Angle head**



Type	Square drive	Max. torque Nm	Application area Nm	Max. speed rpm	Article number
DSH 44 / 40 SA-WA	1/2"	40	8 – 40	490	DSH-2441400
DSH 44 / 60 SA -WA	1/2"	50	12 – 60	350	DSH-2441600

Torque accuracy 5 %, angle resolution 1 degree [°]

F) Spring output



Type	Article number
Spring output 30 mm	DS-2403025
Spring output 50 mm	DS-2403030

**1) Hexagonal quick change chuck
D6,3**



Type	Article number
Bit shaft precision-guide 24 mm	DS-2403710

**2) Hexagonal quick change chuck
D6,3**



Type	Article number
Bit shaft precision-guide 13 mm	DS-2403705

3) Square drive 3/8"



Type	Article number
Square drive 3/8"	DS-2403720

4) Square drive 1/4"



Type	Article number
Square drive 1/4"	DS-2403715

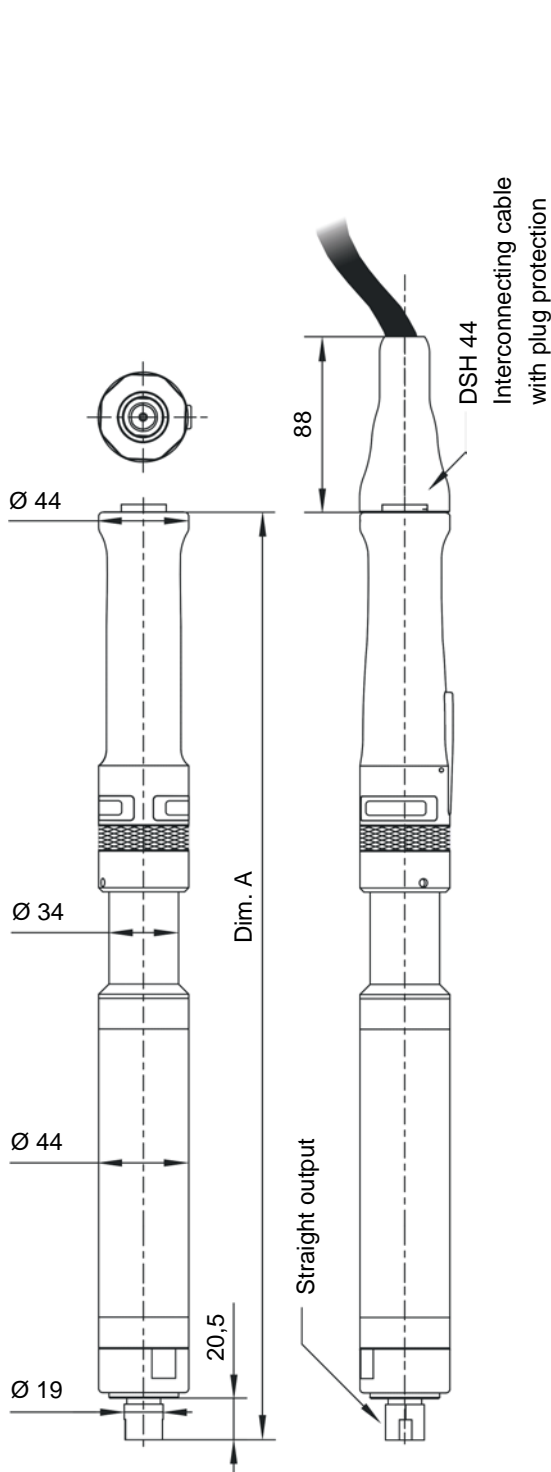
Cable

Cable for interconnection between nutrunner and control system

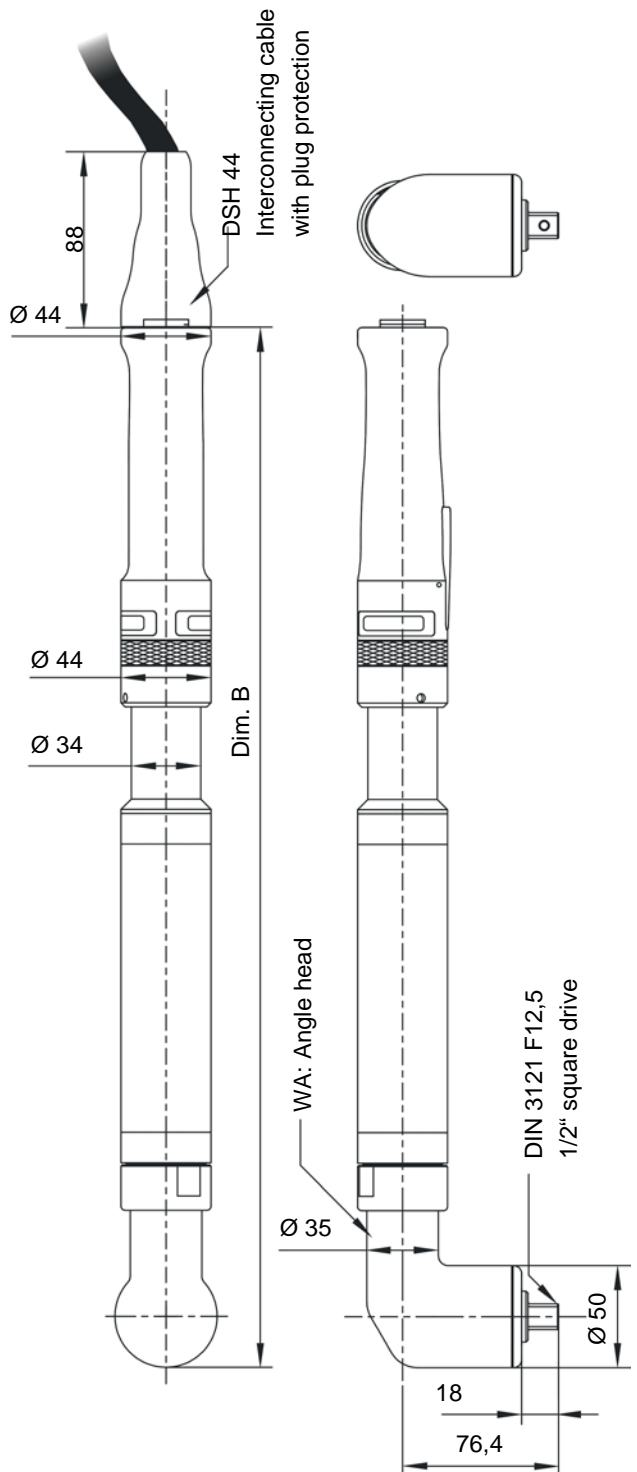
Type	Cable length	Article number
Interconnecting cable DSH34 / DSH44 DSP05 - with plug protection	5 m	MK-2409305
Interconnecting cable DSH34 / DSH44 DSP10 - with plug protection	10 m	MK-2409310
Interconnecting cable DSH34 / DSH44 DSP15 - with plug protection	15 m	MK-2409315

Technical drawings DSH 44 series

DSH 44 MDW/SA

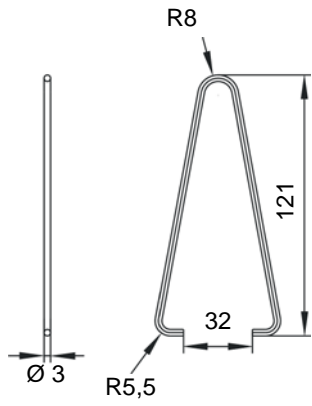


DSH 44 MDW-WA/SA-WA

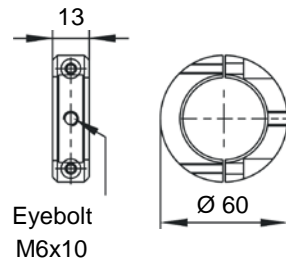


Type	Dimension A mm	Type	Dimension B mm
DSH 44 / 20 / 40 MDW	454 ±2	DSH 44 / 40 / 60 MDW-WA	509 ±2
DSH 44 / 20 / 40 SA	398 ±2	DSH 44 / 40 / 60 SA-WA	428 ±2

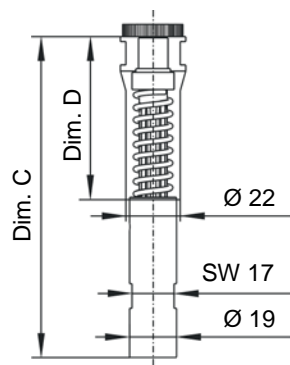
Suspension clip



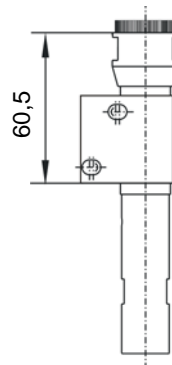
Suspension eye



Spring output



Self start

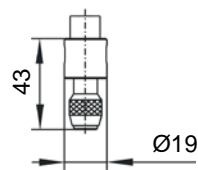
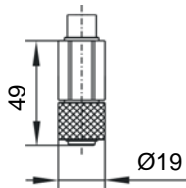


Spring deflexion	Dimension C mm	Dimension D mm
30 mm	130	66
50 mm	150	86

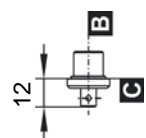
Hexagonal quick change chuck DIN 3126 D6,3

Bit shaft precision-guide 24 mm

Bit shaft precision-guide 13 mm



Square drive DIN 3121 F6,3



Square drive DIN 3121 F10

