

## DS 80-130 series

### A) DS 80-130 MDW (900/1000 Nm) with torque transducer



Type	Max. torque Nm	Application area Nm	Max. speed rpm	Angle resolution Degree [°]	Article number
DS 80-130 / 900 MDW	900	180–900	100	0,1	<b>DS-2800090</b>
DS 80-130 / 1000 MDW	1000	200–1000	75	0,1	<b>DS-2800100</b>

Torque accuracy 0,5 %, torque tolerance better 5 % according to ISO 5393

### B) DS 80-130 MDW (1500/2000/2400 Nm) with torque transducer Booster gear unit



Type	Max. torque Nm	Application area Nm	Max. speed rpm	Angle resolution Degree [°]	Article number
DS 80-130 / 1500 MDW	1500	300–1500	75	0,1	<b>DS-2800150</b>
DS 80-130 / 2000 MDW	2000	400–2000	37	0,1	<b>DS-2800200</b>
DS 80-130 / 2400 MDW	2400	480–2400	37	0,1	<b>DS-2800240</b>

Torque accuracy 0,5 %, torque tolerance better 5 % according to ISO 5393

**C) DS 80-130 SA (900/1000 Nm) without torque transducer**

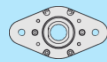
Type	Max. torque Nm	Application area Nm	Max. speed rpm	Angle resolution Degree [°]	Article number
DS 80-130 / 900 SA	900	180–900	100	1,0	<b>DS-2801090</b>
DS 80-130 / 1000 SA	1000	200–1000	75	1,0	<b>DS-2801100</b>

Torque accuracy 5 %

**D) DS 80-130 SA (1500/2000/2400 Nm) without torque transducer  
Booster gear unit**

Type	Max. torque Nm	Application area Nm	Max. speed rpm	Angle resolution Degree [°]	Article number
DS 80-130 / 1500 SA	1500	300–1500	75	1,0	<b>DS-2801150</b>
DS 80-130 / 2000 SA	2000	400–2000	37	1,0	<b>DS-2801200</b>
DS 80-130 / 2400 SA	2400	480–2400	37	1,0	<b>DS-2801240</b>

Torque accuracy 5 %

**E) Mounting flange**

Type	Article number
Mounting flange	<b>DS-2803001</b>

**F) Spring output**

Type	Article number
Spring output 50 mm	<b>DS-2803080</b>

**1) Square drive 1,5"**

Type	Article number
Square drive 1,5" (up to 2400 Nm)	<b>DS-2803110</b>

**2) Square drive 1"**

Type	Article number
Square drive 1" (up to 1000 Nm)	<b>DS-2803105</b>

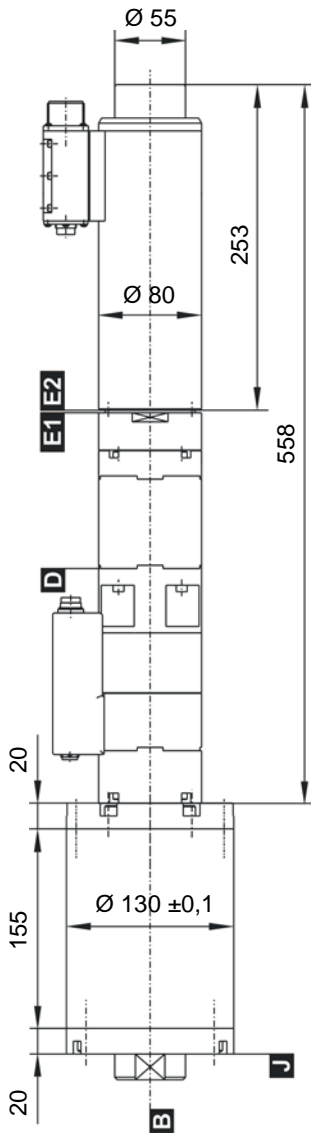
**Cable set**

Cables for interconnection between nutrunner and control system

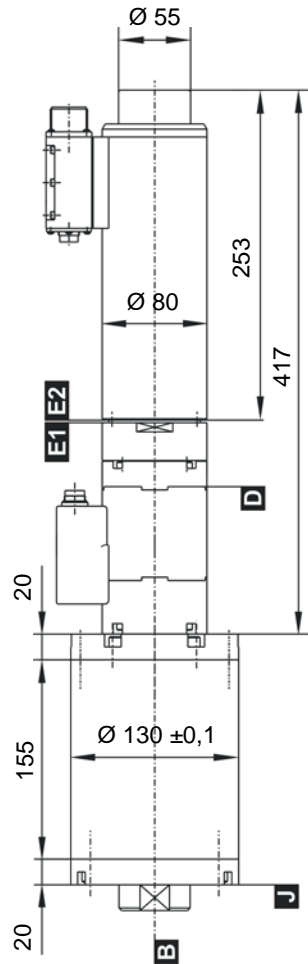
Type	Cable length	Article number
Cable set DS80 / QMP100/140 / SMP500   DSP05	5 m	<b>MK-1009005</b>
Cable set DS80 / QMP100/140 / SMP500   DSP10	10 m	<b>MK-1009010</b>
Cable set DS80 / QMP100/140 / SMP500   DSP15	15 m	<b>MK-1009015</b>
Cable set DS80 / QMP100/140 / SMP500   DSP05 - with shielding	5 m	<b>MK-1009105</b>
Cable set DS80 / QMP100/140 / SMP500   DSP10 - with shielding	10 m	<b>MK-1009110</b>
Cable set DS80 / QMP100/140 / SMP500   DSP15 - with shielding	15 m	<b>MK-1009115</b>

# Technical drawings DS 80-130 series

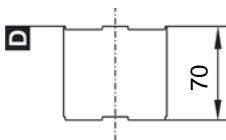
**DS 80-130 MDW (900/1000 Nm)**



**DS 80-130 SA (900/1000 Nm)**

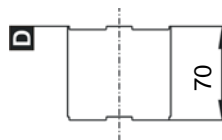


**DS 80-130 MDW (1500/2000/2400 Nm)**



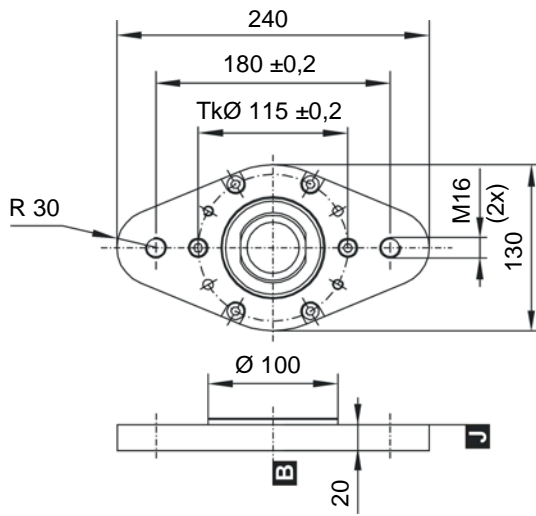
Additional  
2nd gear stage  
(Booster gear unit)

**DS 80-130 SA (1500/2000/2400 Nm)**



Additional  
2nd gear stage  
(Booster gear unit)

### Mounting flange



### Spring output

