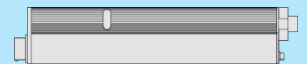


DS 44 series

A) DS 44 MDW with torque transducer



Type	Max. torque Nm	Application area Nm	Max. speed rpm	Angle resolution Degree [°]	Article number
DS 44 / 025 MDW	2,5	0,5 – 2,5	1300	0,1	DS-2440025
DS 44 / 05 MDW	5	1 – 5	1300	0,1	DS-2440050
DS 44 / 10 MDW	10	2 – 10	900	0,1	DS-2440100
DS 44 / 20 MDW	20	4 – 20	530	0,1	DS-2440200
DS 44 / 35 MDW	35	7 – 35	480	0,1	DS-2440350

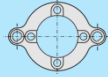
Torque accuracy 0,5 %, torque tolerance better 5 % according to ISO 5393

B) DS 44 SA without torque transducer



Type	Max. torque Nm	Application area Nm	Max. speed rpm	Angle resolution Degree [°]	Article number
DS 44 / 05 SA	5	1 – 5	1300	3,3	DS-2441050
DS 44 / 10 SA	10	2 – 10	900	2,3	DS-2441100
DS 44 / 20 SA	20	4 – 20	530	1,4	DS-2441200
DS 44 / 35 SA	35	7 – 35	480	1,0	DS-2441350

Torque accuracy 5 %

C) Mounting flange

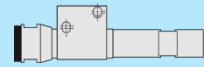
Type	Article
Mounting flange	DS-2443000

D) Output offset

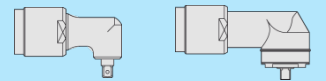
Type	Article number
Output offset V1 (max. 10 Nm)	DS-2443005

E) Spring output

Type	Article number
Spring output 30 mm	DS-2403025
Spring output 30 mm with depth initiator	DS-2403045
Spring output 50 mm	DS-2403030
Spring output 50 mm with depth initiator	DS-2403050

F) Spring output with self start initiator

Type	Article number
Self start 30 mm	DS-2403035
Self start 50 mm	DS-2403040

G/H) Angle head

Nutrunner MDW / SA	Max. speed rpm
DS 44 / 05 WA 20	900
DS 44 / 10 WA 20	625
DS 44 / 20 WA 20	370
DS 44 / 35 WA 40	250

Torque tolerance better 8 % according to ISO 5393

Type	Max. torque Nm	Article number
WA 20 (3/8")	20	DS-2443015
WA 40 (3/8")	40	DS-2443020

1) Square drive 1/4"

Type	Article number
Square drive 1/4"	DS-2403715

2) Square drive 3/8"

Type	Article number
Square drive 3/8"	DS-2403720

3) Hexagonal quick change chuck D6,3

Type	Article number
Bit shaft precision-guide 13 mm	DS-2403705
Bit shaft precision-guide 24 mm	DS-2403710

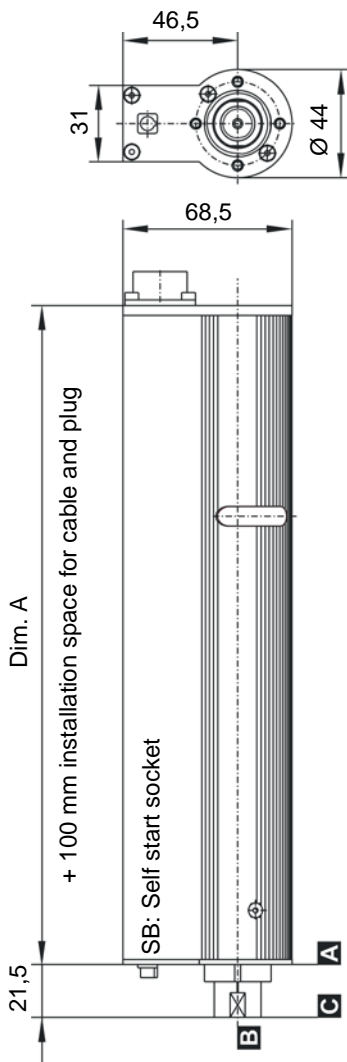
Cable

Cable for interconnection between nutrunner and control system

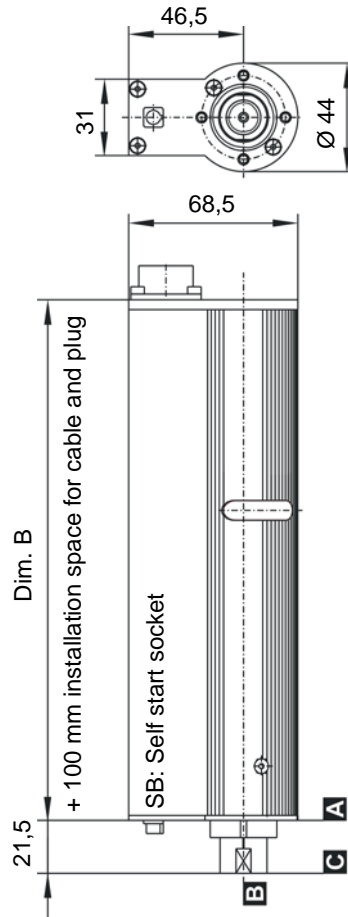
Type	Cable length	Article number
Interconnecting cable DS34 / DS44 / SMP300 DSP05	5 m	MK-2409005
Interconnecting cable DS34 / DS44 / SMP300 DSP10	10 m	MK-2409010
Interconnecting cable DS34 / DS44 / SMP300 DSP15	15 m	MK-2409015
Interconnecting cable DS34 / DS44 / SMP300 DSP05 - angled 90° right	5 m	MK-2409105
Interconnecting cable DS34 / DS44 / SMP300 DSP10 - angled 90° right	10 m	MK-2409110
Interconnecting cable DS34 / DS44 / SMP300 DSP15 - angled 90° right	15 m	MK-2409115
Interconnecting cable DS34 / DS44 / SMP300 DSP05 - angled 90° left	5 m	MK-2409205
Interconnecting cable DS34 / DS44 / SMP300 DSP10 - angled 90° left	10 m	MK-2409210
Interconnecting cable DS34 / DS44 / SMP300 DSP15 - angled 90° left	15 m	MK-2409215

Technical drawings DS 44 series

DS 44 MDW

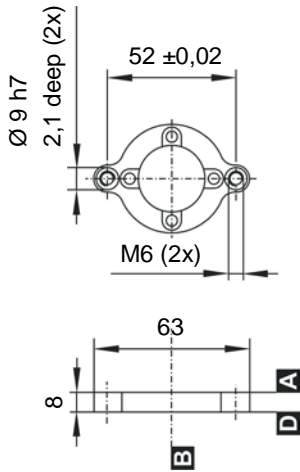


DS 44 SA

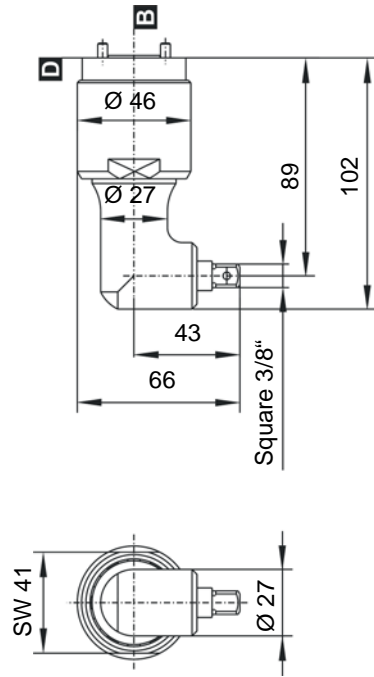


Type	Dimension A mm	Dimension B mm
DS 44 / 05 / 10 / 20	267,5	211,5
DS 44 / 35	348,5	292,5

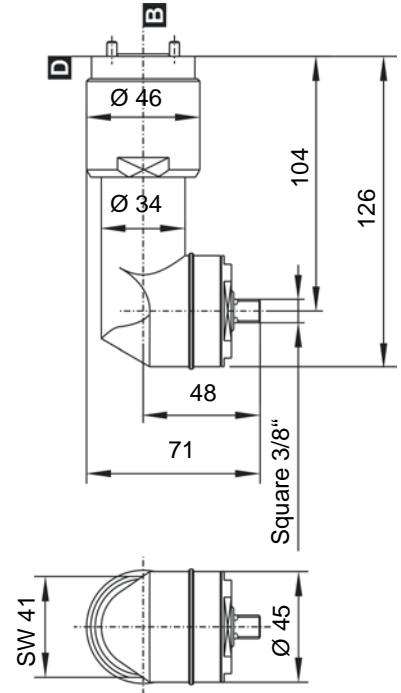
Mounting flange



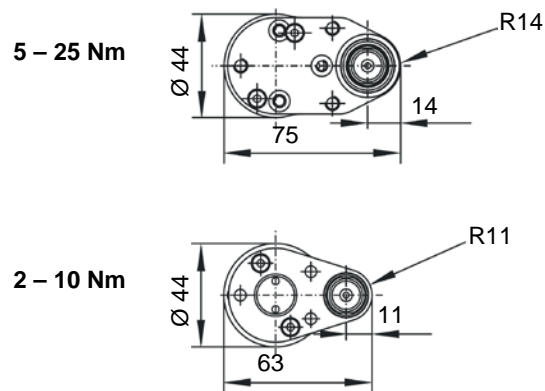
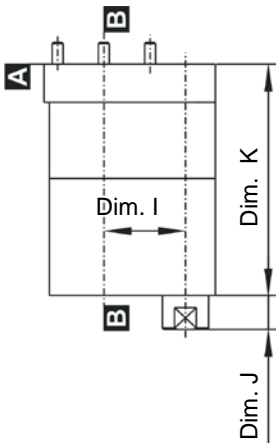
Angle head 20 Nm



Angle head 40 Nm

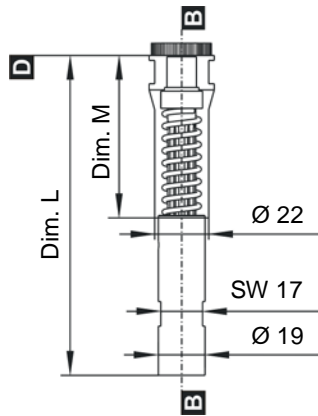


Output offset

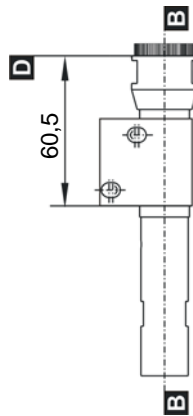


Type	Dimension I mm	Dimension J mm	Dimension K mm
2 - 10 Nm	30	13	85
5 - 25 Nm	35	12	106

Spring output

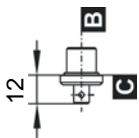


Self start

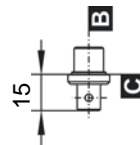


Type	Dimension L mm	Dimension M mm
30 mm	130	66
50 mm	150	85

Square drive DIN 3121 F6,3

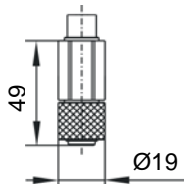


Square drive DIN 3121 F10

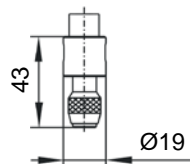


Hexagonal quick change chuck DIN 3126 D6,3

Bit shaft precision-guide 24 mm



Bit shaft precision-guide 13 mm



Interconnecting cable 90° angled

