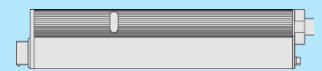


DS 34 series

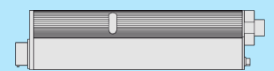
A) DS 34 MDW with torque transducer



Type	Max. torque Nm	Application area Nm	Max. speed rpm	Angle resolution Degree [°]	Article number
DS 34 / 025 MDW	2,5	0,5 – 2,5	880	0,1	DS-2340025
DS 34 / 05 MDW	5	1 – 5	880	0,1	DS-2340050
DS 34 / 10 MDW	10	2 – 10	1540	0,1	DS-2340100
DS 34 / 15 MDW	15	3 – 15	1540	0,1	DS-2340150

Torque accuracy 0,5 %, torque tolerance better 5 % according to ISO 5393

B) DS 34 SA without torque transducer



Type	Max. torque Nm	Application area Nm	Max. speed rpm	Angle resolution Degree [°]	Article number
DS 34 / 025 SA	2,5	0,5 – 2,5	880	3,3	DS-2341025
DS 34 / 05 SA	5	1 – 5	880	3,3	DS-2341050
DS 34 / 10 SA	10	2 – 10	1540	1,7	DS-2341100
DS 34 / 15 SA	15	3 – 15	1540	1,7	DS-2341150

Torque accuracy 5 %

C) Mounting flange

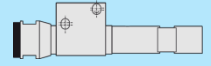
Type	Article number
Mounting flange	DS-2343000

D) Output offset

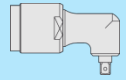
Type	Article number
Output offset V1 (max. 10 Nm)	DS-2343005

E) Spring output

Type	Article number
Spring output 30 mm	DS-2403025
Spring output 30 mm with depth initiator	DS-2403045
Spring output 50 mm	DS-2403030
Spring output 50 mm with depth initiator	DS-2403050

F) Spring output with self start initiator

Type	Article number
Self start 30 mm	DS-2403035
Self start 50 mm	DS-2403040

G) Angle head

Nutrunner MDW / SA	Max. speed rpm	Type	Article number
DS 34 / 025 WA	610	WA (3/8")	DS-2343010
DS 34 / 05 WA	610		
DS 34 / 10 WA	1070		
DS 34 / 15 WA	1070		

Torque tolerance better 8 % according to ISO 5393

1) Square drive 1/4"

Type	Article number
Square drive 1/4"	DS-2403715

2) Square drive 3/8"

Type	Article number
Square drive 3/8"	DS-2403720

**3) Hexagonal quick change chuck
D6,3**

Type	Article number
Bit shaft precision-guide 13 mm	DS-2403705
Bit shaft precision-guide 24 mm	DS-2403710

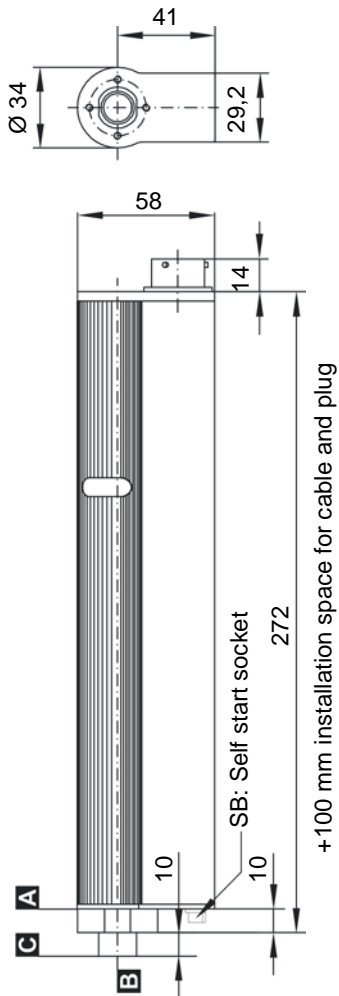
Cable

Cable for interconnection between nutrunner and control system

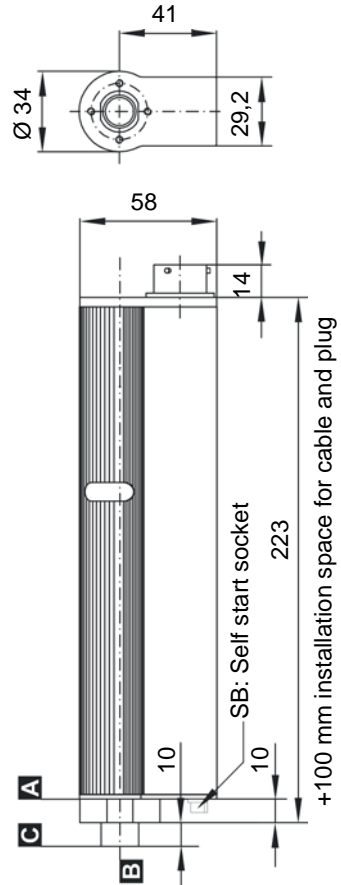
Type	Cable length	Article number
Interconnecting cable DS34 / DS44 / SMP300 DSP05	5 m	MK-2409005
Interconnecting cable DS34 / DS44 / SMP300 DSP10	10 m	MK-2409010
Interconnecting cable DS34 / DS44 / SMP300 DSP15	15 m	MK-2409015
Interconnecting cable DS34 / DS44 / SMP300 DSP05 - angled 90° right	5 m	MK-2409105
Interconnecting cable DS34 / DS44 / SMP300 DSP10 - angled 90° right	10 m	MK-2409110
Interconnecting cable DS34 / DS44 / SMP300 DSP15 - angled 90° right	15 m	MK-2409115
Interconnecting cable DS34 / DS44 / SMP300 DSP05 - angled 90° left	5 m	MK-2409205
Interconnecting cable DS34 / DS44 / SMP300 DSP10 - angled 90° left	10 m	MK-2409210
Interconnecting cable DS34 / DS44 / SMP300 DSP15 - angled 90° left	15 m	MK-2409215

Technical drawings DS 34 series

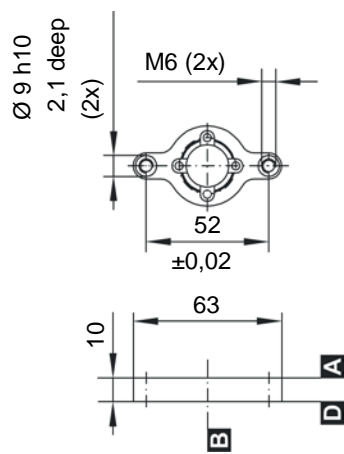
DS 34 MDW



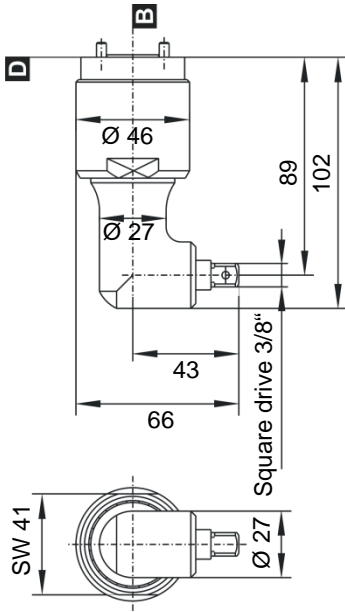
DS 34 SA



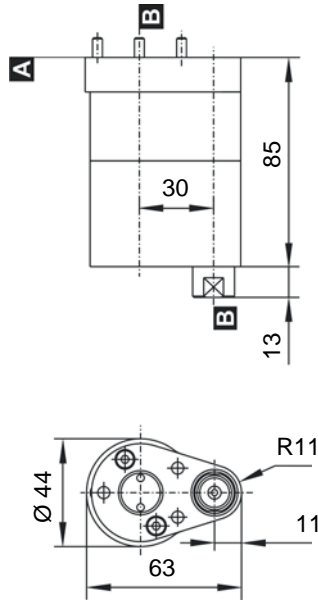
Mounting flange



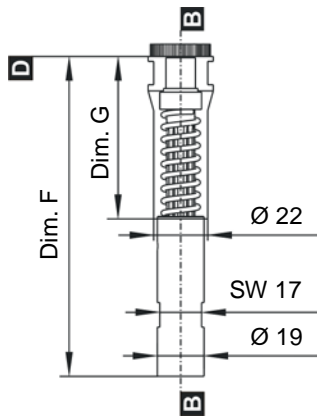
Angle head



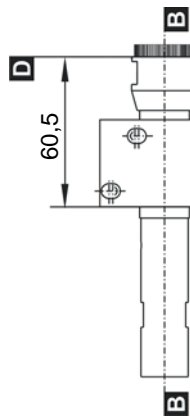
Output offset



Spring output

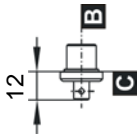


Self start

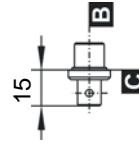


Spring deflexion	Dimension F mm	Dimension G mm
30 mm	130	66
50 mm	150	86

Square drive DIN 3121 F6,3



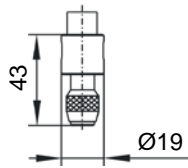
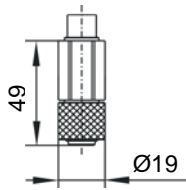
Square drive DIN 3121 F10



Hexagonal quick change chuck DIN 3126 D6,3

Bit shaft precision-guide 24 mm

Bit shaft precision-guide 13 mm



Interconnecting cable 90° angled

