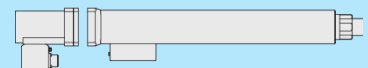


QMP 80 series

A) QMP 80 basic version 1) with 200 mm, 2) with 300 mm, 3) with 500 mm stroke



Type	Stroke mm	Max. speed mm/s	Article number
QMP 80 / XX 200 00 XX 00 00	200	200	QMP-0803002
QMP 80 / XX 300 00 XX 00 00	300	200	QMP-0803003
QMP 80 / XX 500 00 XX 00 00	500	200	QMP-0803005

Resolution length (stroke) measurement 0,003 mm, length (stroke) repeat accuracy 0,01 mm by about 20 mm/s

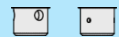
B) QMP 80 execution force sensor 2,5 kN / 5 kN / 10 kN / 20 kN / 25 kN



Type	Max. force kN	Application area kN	Article number
Force sensor 2,5 kN for QMP 80	2,5	0,4 - 2,5	QMP-0800002
Force sensor 5 kN for QMP 80	5	0,8 - 5	QMP-0800005
Force sensor 10 kN for QMP 80	10	2 - 10	QMP-0800010
Force sensor 20 kN for QMP 80	20	4 - 20	QMP-0800020
Force sensor 25 kN for QMP 80	25	5 - 25	QMP-0800025

Force accuracy 0,5 %

C) QMP 80 execution of the press-in unit Press / Pull / Press & Pull



Type	Force measurement	Tool bracket	Article number
QMP 80 execution DR	in direction press	DIN810 A20, Ø20H7 45 deep	QMP-0801000
QMP 80 execution ZU	in direction pull	M20 x 1,5 40 deep	QMP-0801005
QMP 80 execution DZ	in direction press and pull	M20 x 1,5 40 deep	QMP-0801010

D) Motor force-hold-brake



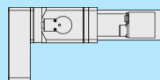
Type	Article number
Motor force-hold-brake MHB	QMP-

E) Motor offset



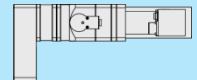
Type	Article number
Motor offset V2	QMP-0803105

F) Force-hold-brake



Type	Article number
Force-hold-brake HB	QMP-0803110

G) Backstop Hold force



Type	Article number
RS-L (for QMP 80 with V2)	QMP-0803116
RS-R (for QMP 80 without V2)	QMP-0803117

Accessories

Type	Article number
Portal frame for QMP 80 (according to customer specification)	QMP-0808000
C-frame for QMP 80 (according to customer specification)	QMP-0808500

Cable

Cables for interconnection between press-in unit and control system

Type	Cable length	Article number
Cable set DS57 / QMP80 / SMP400 DSP05	5 m	MK-0809005
Cable set DS57 / QMP80 / SMP400 DSP10	10 m	MK-0809010
Cable set DS57 / QMP80 / SMP400 DSP15	15 m	MK-0809015
Cable set DS57 / QMP80 / SMP400 DSP05 - with shielding	5 m	MK-0809105
Cable set DS57 / QMP80 / SMP400 DSP10 - with shielding	10 m	MK-0809110
Cable set DS57 / QMP80 / SMP400 DSP15 - with shielding	15 m	MK-0809115

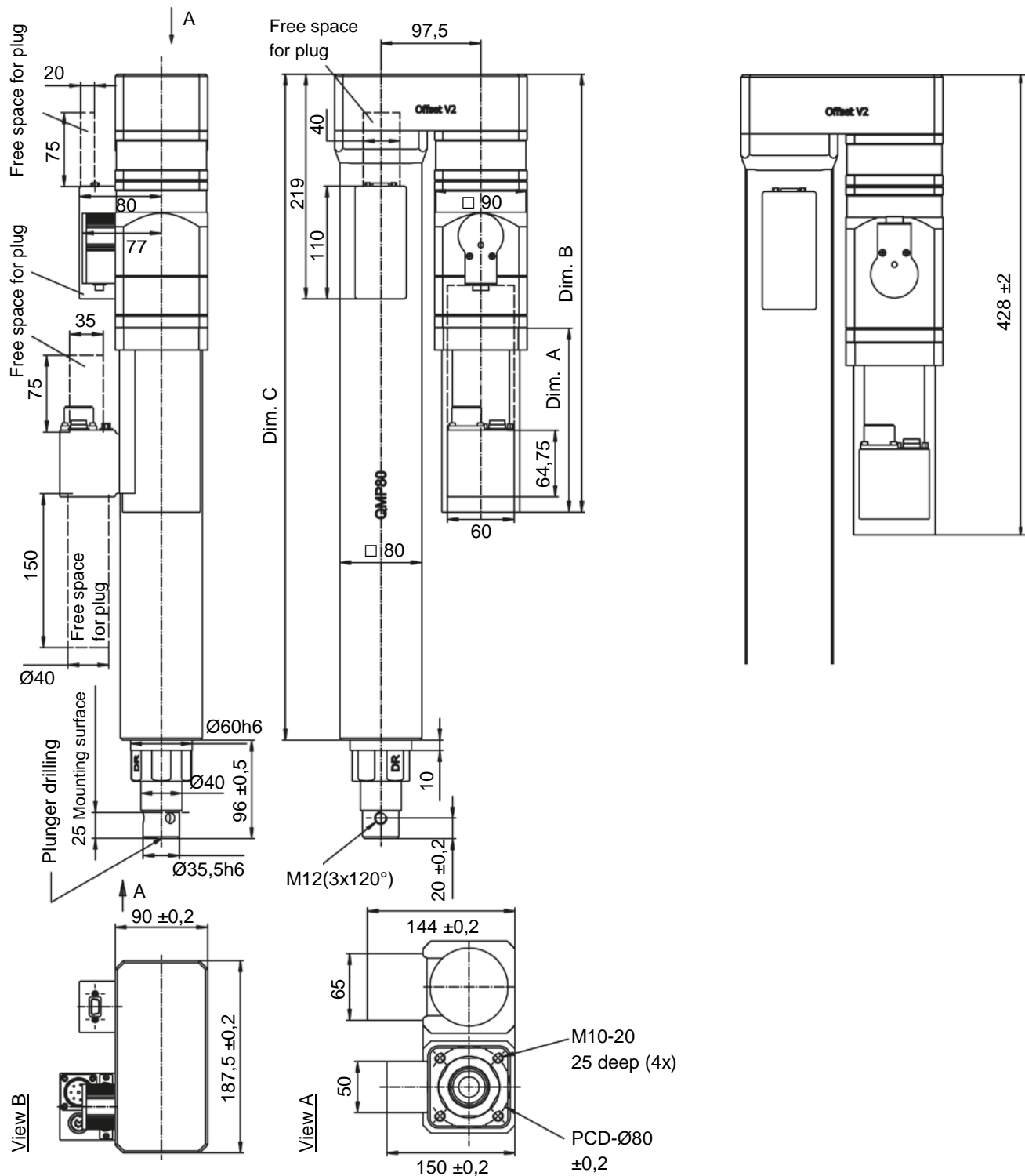
Maintenance accessories

QMP / SMP Service package

Type	Article number
Lubrication set (grease gun, armoured hose, grease cartridge and lubrication tube set)	DSM-281990

QMP 80 /05/10/20 Back stop (hold force)

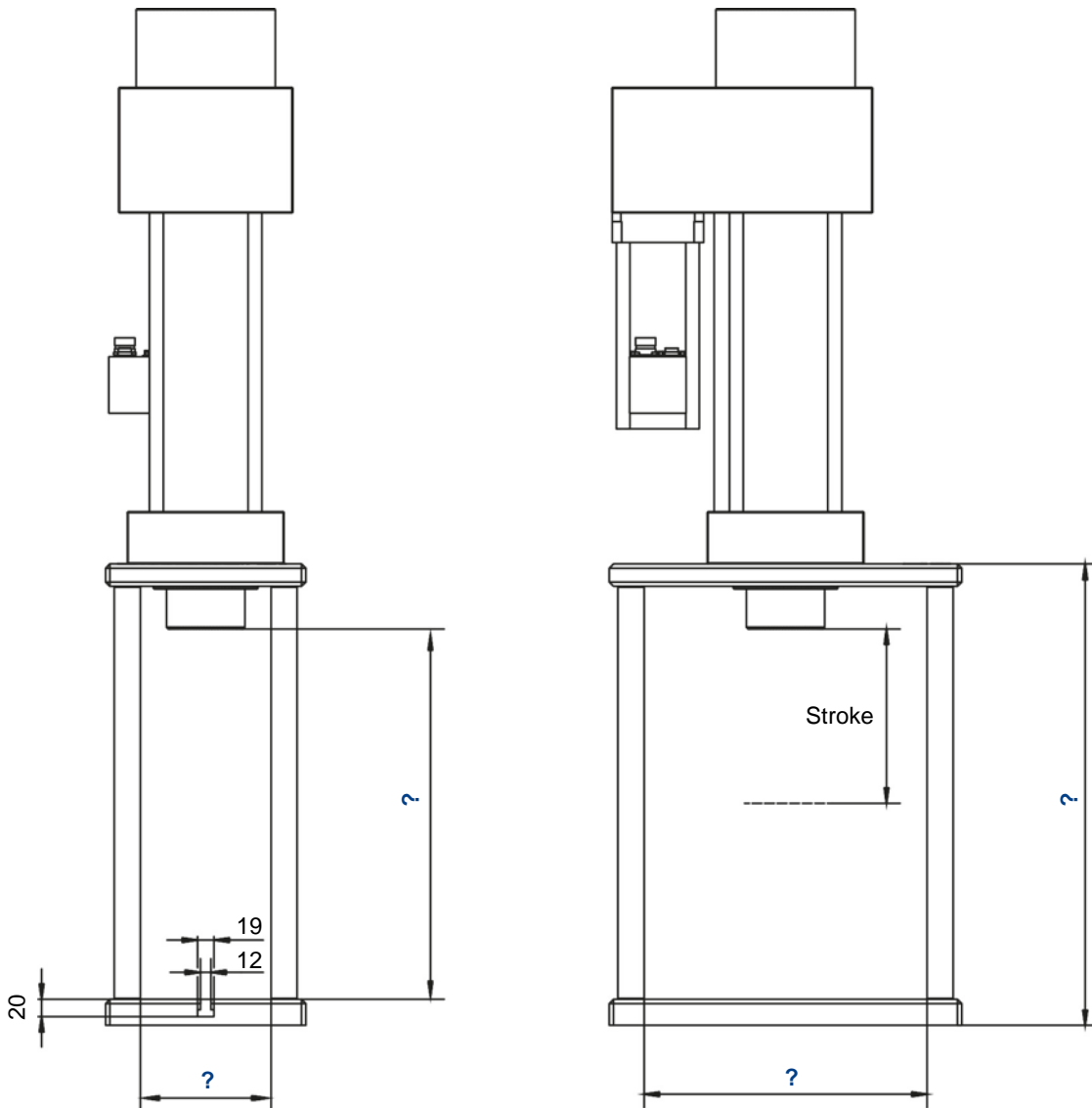
QMP 80 /05/10/20 Force-hold-break



Type	A mm		B mm		C mm
	/05/10	/20	/05/10	/20	
QMP 80 V2 RS 200mm stroke	139	179	386 ±2	427±2	649
QMP 80 V2 RS 300mm stroke	139	179	386 ±2	427±2	759
QMP 80 V2 RS 500mm stroke	139	179	386 ±2	427±2	959

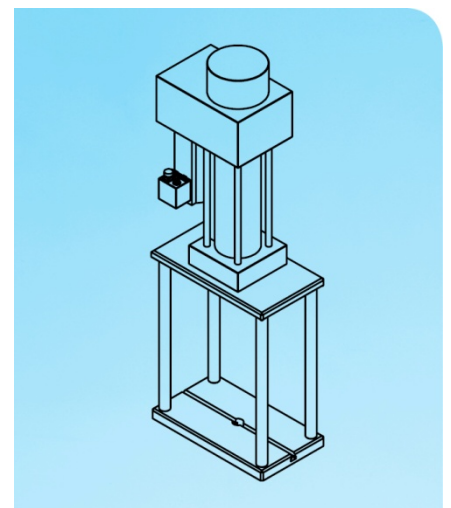
Portal frame

for press-in units of the QMP/SMP series



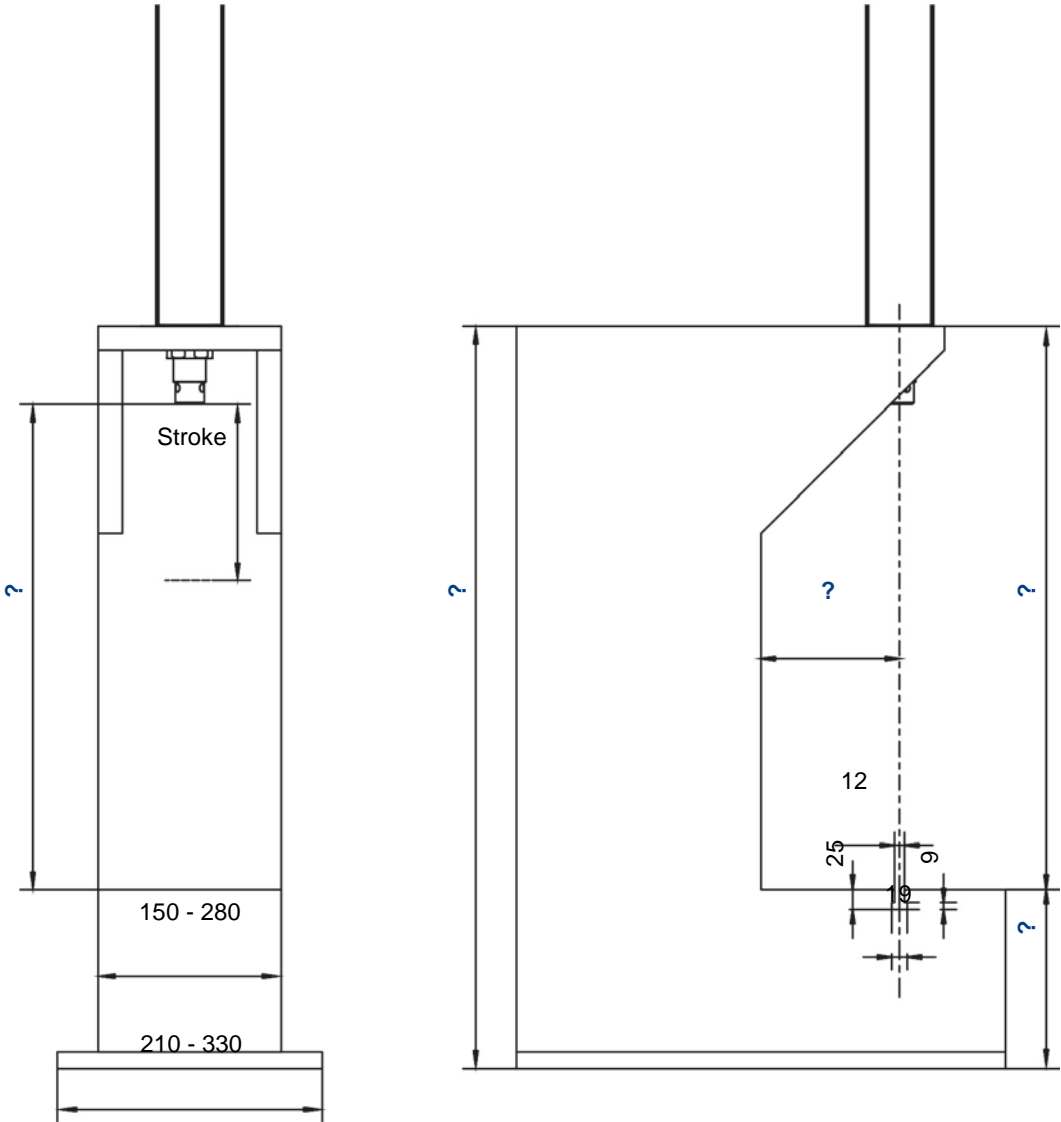
Portal frame, manufactured acc. to customers specification. Depending on the selected press, the dimensions marked with a question mark, can be defined individually.

Please gather dimensions of the press-in unit from the corresponding drawing.



C-frame

for press-in units of the QMP/SMP series



C-frame, manufactured acc. to customers specification. Depending on the selected press, the dimensions marked with a question mark, can be defined individually.

Please gather dimensions of the press-in unit from the corresponding drawing.

