



MultiBasic Blue



MultiBasic



MultiClassic



MultiPro

## CONTROL SYSTEMS

### Overview

Type	Execution TA	Execution FL
> MultiBasic Blue	Nutrunners of type SA	-
> MultiBasic	Nutrunners of type SA	-
> MultiClassic	Nutrunners of type MDW	Press-in units of series SMP/QMP
> MultiPro	Nutrunners of type MDW	Press-in units of series SMP/QMP

Control units with digital processing of the measuring signals for nutrunners of the DS series and press-fit units of the QMP/SMP series. Applicable for manual work stations and automatic stations. All control units have a LCD display and a tripartite LED status report. The control unit and the power pack are combined in one case. Consequently the control system does not require an electrical cabinet and therefore little space. Configuration and programming is made directly at the unit or at an external computer.

Create individual sequence programs and adjust these to the process flow.

## The accurate control system for every assembly process

DSM offers products which are especially configured for your applications in the tightening and press-in technique. In the adequate execution, for the adequate range of application, in the required precision, with the adequate accessories.

### Components of DSM control systems

- Control module with firmware tightening technique / press-in technique
- Basic module supplies power to control unit and tool, controls and monitors the servo motor
- Modular set-up of the housing, control module + power electronic module
- Compact flash slot with CF card to store the measurement data
- Software MultiControl - for configuration, parameterisation, programming and monitoring of the control system
- Various accessories and options

### Advantages of DSM control systems

- Control system and software are suitable for tightening and press-in applications, same operating concept
- Control unit and power pack are accommodated in a single housing
- Compact design for wall mounting
- Thanks to the parameter memory module inside the tool, a error-free configuration is possible
- Simple and convenient programming with the plain text menu navigation
- A wide range of tightening and press-in processes are integrated in the control system
- Complex, customer-specific procedures realised the DSM development team
- Traceable calibration

### Accessories control system



Type	IO-Extension 4/4S	IO-Extension 4/4C	IO-Extension 8/8S	IO-Extension 8/8C
Inputs / Outputs	4IN/4OUT	4IN/4OUT	8IN/8OUT	8IN/8OUT

IO Extension is used to expand the standard inputs and outputs of the DSM control systems.

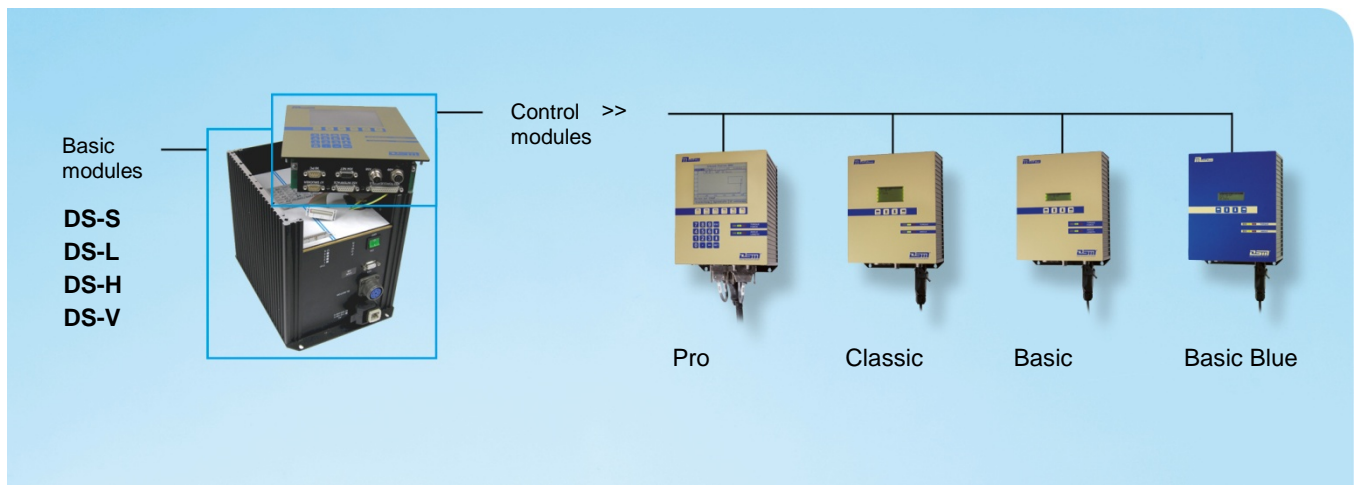
The device is selected via the DSM systembus interface. The inputs and outputs can be used for any control tasks in the sequence programming. Up to 16 extension modules can be connected at a control system.

Each IO-Extension is equipped with

- Status display of the inputs and outputs
- Function check DSM system bus
- Reset key

## Adequate power packs for all control systems

The power pack supplies the control unit and the connected tool. There are different power packs available. This depending on the required performance of the tool. Important accessory for the safety of persons is the Machine-Safety-Interface (MSI).



## Basic modules DS-S, DS-L, DS-H, DS-V

### Overview

Basic module Type	Tool	Article number
	Nutrunners SA / MDW, press-in units	
DS-S type 1	DSH 26/005; DS 26/005	<b>ML-1000210</b>
DS-S type 2	DSH 26/01/02/04; DS 26/01/02/04	<b>ML-1000220</b>
DS-L type 1	DS 34/025/05	<b>ML-1000310</b>
DS-L type 3	DS 44/025/5/10/20; SMP 300/005/01/02	<b>ML-1000330</b>
DS-L type 4	DS 34/10/15; DSH 34/05/10/20; DSH 44/20/30/40/60	<b>ML-1000340</b>
DS-L type 5	DS 44/35	<b>ML-1000350</b>
DS-H type 2	QMP 80/025/05/10; SMP 400/05/10	<b>ML-1000820</b>
DS-H type 3	DS 57/25/50	<b>ML-1000830</b>
DS-H type 4	DS 57/70/90/140	<b>ML-1000840</b>
DS-H type 5	QMP 80/20/25	<b>ML-1000850</b>
DS-V type 4	DS 80/220/300/420/500/600; DS80-130/900/1000/1500/2000/2400	<b>ML-1000940</b>
DS-V type 5	QMP 100/30/40/50/60; QMP 140/70/100/120; SMP 500/20/30/50/70	<b>ML-1000950</b>

### Accessories basic module

Type	Article number
MSI Machine-Safety-Interface Tightening System	<b>ML-1000005</b>
MSI Machine-Safety-Interface Press-In System	<b>ML-1000015</b>

To that, the power pack controls and monitors the motor of the tool (nutrunner / press). Among others it thereby it checks the voltage and condition of the hallsensor as well as temperature, current and voltage of the servo motor.

### Supply

- Mains voltage basic module type DS-S, DS-L, DS-H: 230 VAC / 50 Hz
- Mains voltage basic module type DS-V: 3 x 400 VAC / 50 Hz



## Control module MultiBasic

### A) MultiBasic TA Equipped with firmware tightening system (1000 Bas-E)

Type	Tightening control	Article number
Control module MultiBasic	SA	MS-1001300

### Accessories control module

Type	Article number
Profibus module (Profibus interface)	MS-1001510
Ethernet module (Ethernet, TCP/IP interface)	MS-1001520
Modification control system to protection class IP 54	MS-1001554
Basic module (power pack), depending on the performance of the nutrunner	> <a href="#">Basic modules</a>

## B) PC software packages

Type	Article number
MultiControl4 standard software (50 measuring results), included in delivery	<b>MS-1002500</b>
MultiControl4 software, activated full version (unlimited numbers of measuring results)	<b>MS-1002505</b>
Linemanager software for centralised control tasks and data storage	<b>MS-1002600</b>

## Accessories

Type	Cable length	Article number
PC interconnecting cable	3 m	<b>MK-1001703</b>

## C) DSM USB module

Type	Article number
DSM USB module RS232   USB	<b>MS-1001705</b>

## D) Portable memory CF card

Type	Article number
Compact flash card (CF) 128 MB	<b>MS-1001605</b>

## E) IO-Extension

### System bus unit for additional inputs and outputs

Type	Inputs / Outputs	Article number
IO-Extension 4/4S with terminal block	4IN, 4OUT	<b>MS-1003044</b>
IO-Extension 4/4C with M8 circular plug-in connector	4IN, 4OUT	<b>MS-1003144</b>
IO-Extension 8/8S with terminal block	8IN, 8OUT	<b>MS-1003088</b>
IO-Extension 8/8C with M8 circular plug-in connector	8IN, 8OUT	<b>MS-1003188</b>

## Accessories

Type	Article number
System bus terminating resistor	<b>MS-1003030</b>
T-piece for system bus connection	<b>DSM-200722</b>
Y-piece for system bus connection	<b>DSM-200724</b>
System bus cable 1 m	<b>MS-1003001</b>
System bus cable 2 m	<b>MS-1003002</b>
System bus cable 5 m	<b>MS-1003005</b>

## Cable MultiBasic

Type	Cable length	Article number
Power cord 230 VAC (power pack DS-S, DS-L, DS-H, DS-LH)	1,5 m	<b>MS-1009002</b>
Power cord 400 VAC (power pack DS-V)	5 m	<b>MS-1009035</b>

## Technical Data

MultiBasic the starter model into the EC tightening technique. For all DSM tightening tools of the DS series with indirect torque-measurement (SA). Suitable for a multi-channel system solution.

- Digital measuring signal processing
- 2,5" LCD display with illumination
- 2 x 3 LED status reports for torque and angle of rotation
- Function keys
- Programming and parameterisation via included MultiControl4 software
- Freely programmable tightening operations
- Automatic self test of the tightening control system and of the DS nutrunner
- Mobile backup and production memory 128 MB (compact flash card)
- Parameter and program backup in EEPROM
- Firmware bilingual, reversible

Number of programs	32
Number of instructions per program max. / total	50 / 1600
Instruction set	33 instructions
Maximum number of tightening stages per program	49
Standard tightening processes	5
Standard untightening processes	1
Freely direct inputs	4
Freely direct outputs	4
Inputs / outputs extendable	yes
Sampling rate	1 kHz
Interfaces	V24, system bus
Interfaces optional	Profibus, TCP/IP
Protection class	IP 40 (optional IP 54)

## Accessories

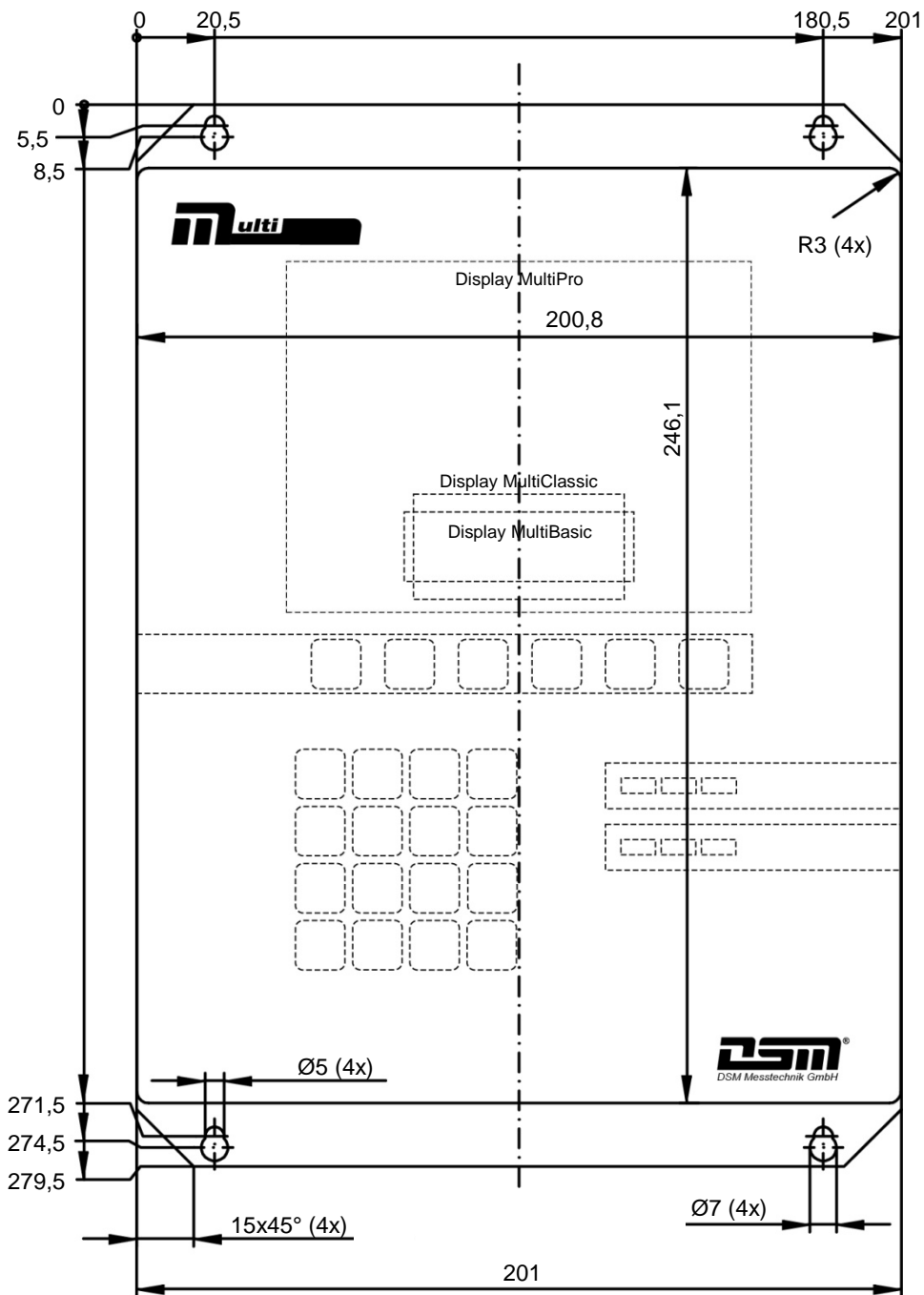
- IO-Extension (up to 128 inputs and outputs)
- Printer PR-II
- DSM radio controlled clock
- ToolControl socket box
- P-Control position monitoring
- DCM-Extension: for activation of an external DC motor
- Status Indication: external status report



Basic

# Technical drawings Control systems

MultiBasic Blue, MultiBasic, MultiClassic, MultiPro

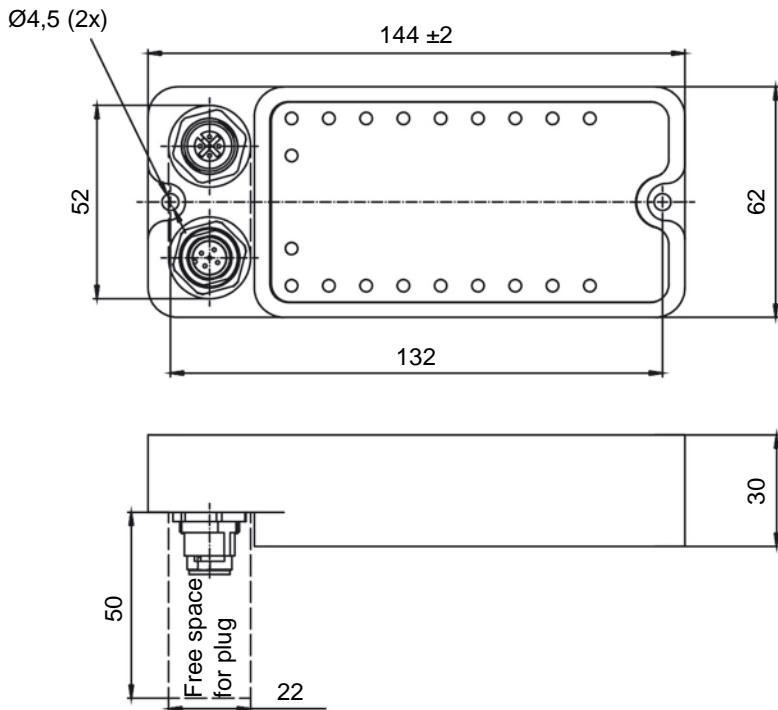


↓ Plan at least 140 mm space for cable! ↓

Type	Depth mm
Control module + basic module DS-S type 1	128
Control module + basic module (all other executions)	231

# Technical drawings IO-Extension

4/4S, 4/4C, 8/8S



8/8C

